

ASSEMBLY INSTRUCTIONS

90CM BUNK BED

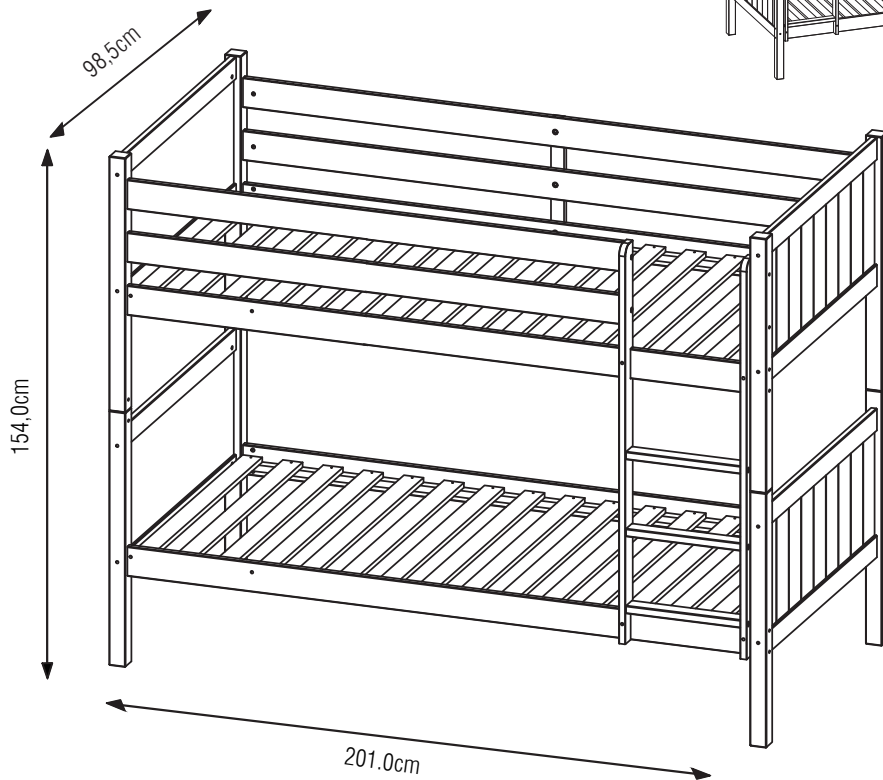
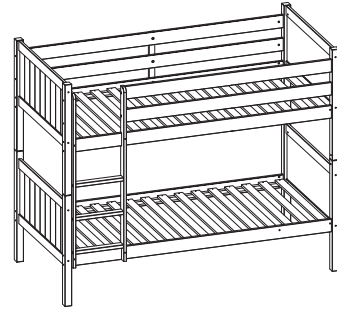
Approximate Assembly Time



People Required to Assemble



Tools Required



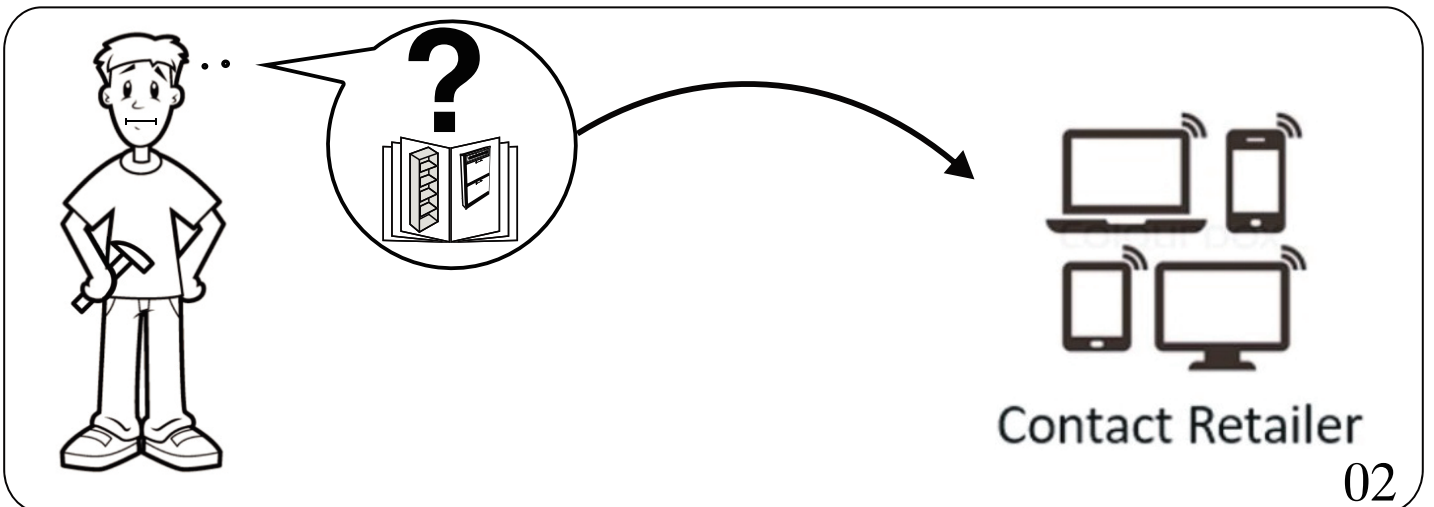
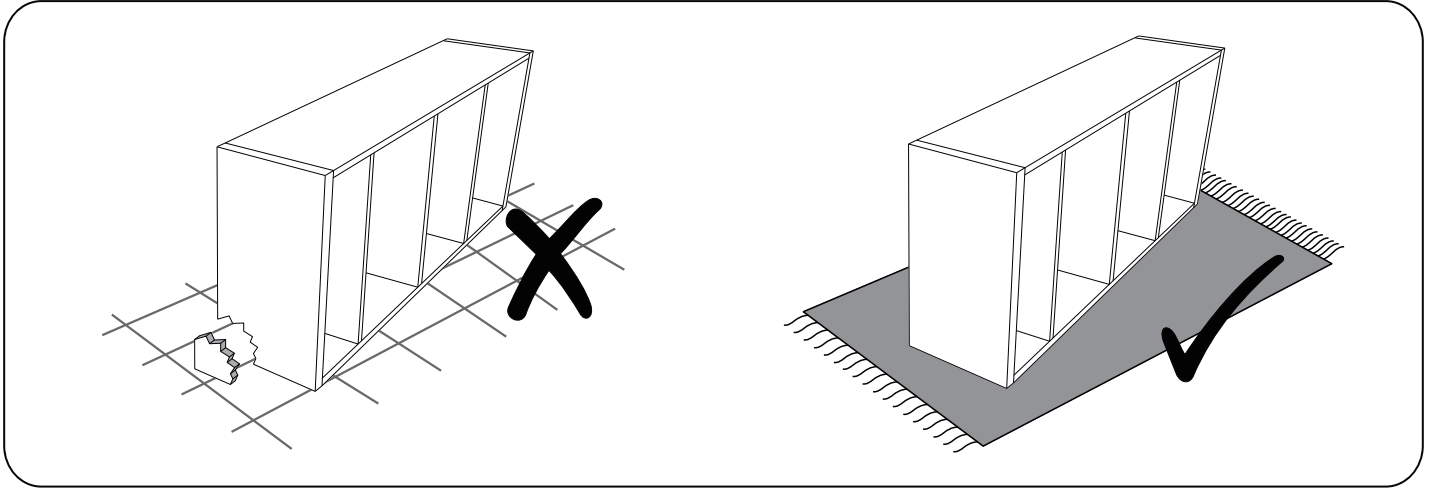
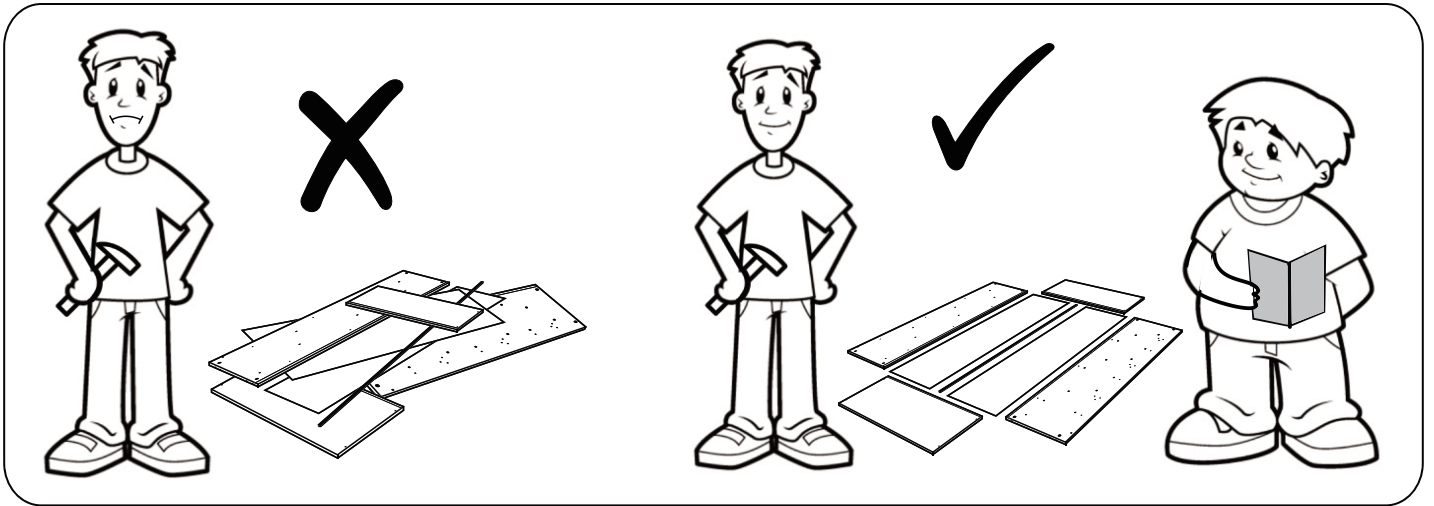
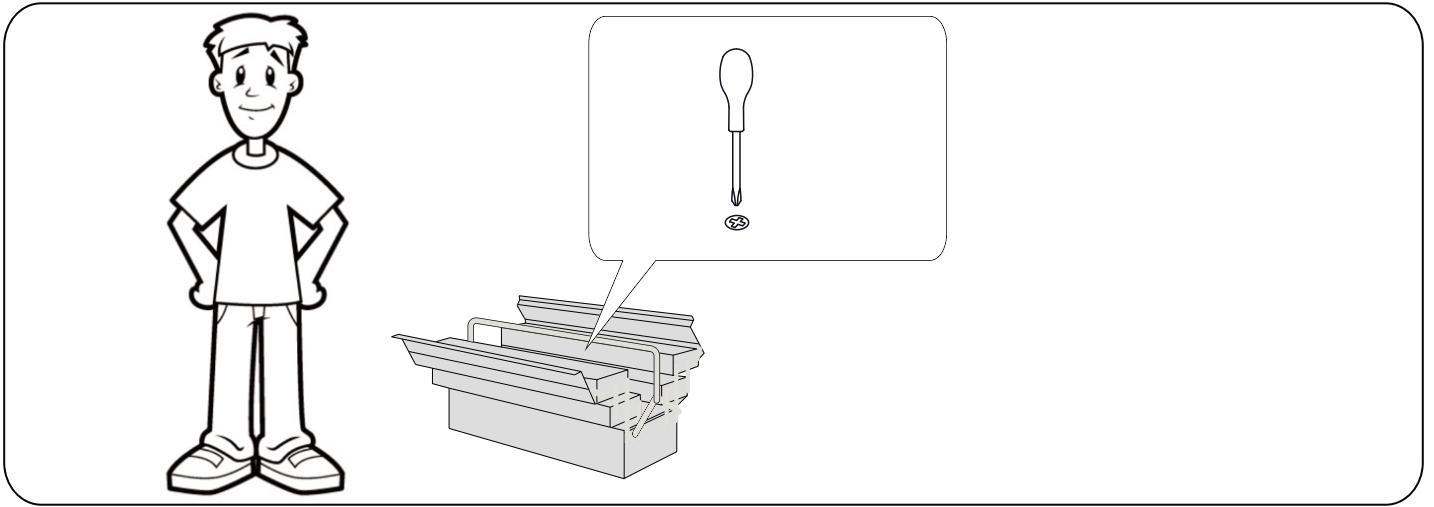
Before you start...

Please carefully unpack and lay out all of the component parts to ensure nothing is missing and to check each component for any obvious damage.

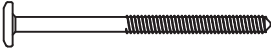







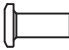




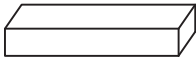
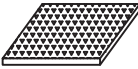
Should you identify any concerns at this stage please contact the retailer from whom this product was purchased. Please quote your order number, details of your issue, the product code, and the batch number from the cartons which will help to resolve your issue as quickly as possible.

Version Number -1.0

Product Code - BEL301/BEL302/BEL303



Please check all hardware matches the list below. Should you notice any are missing please contact your retailer.

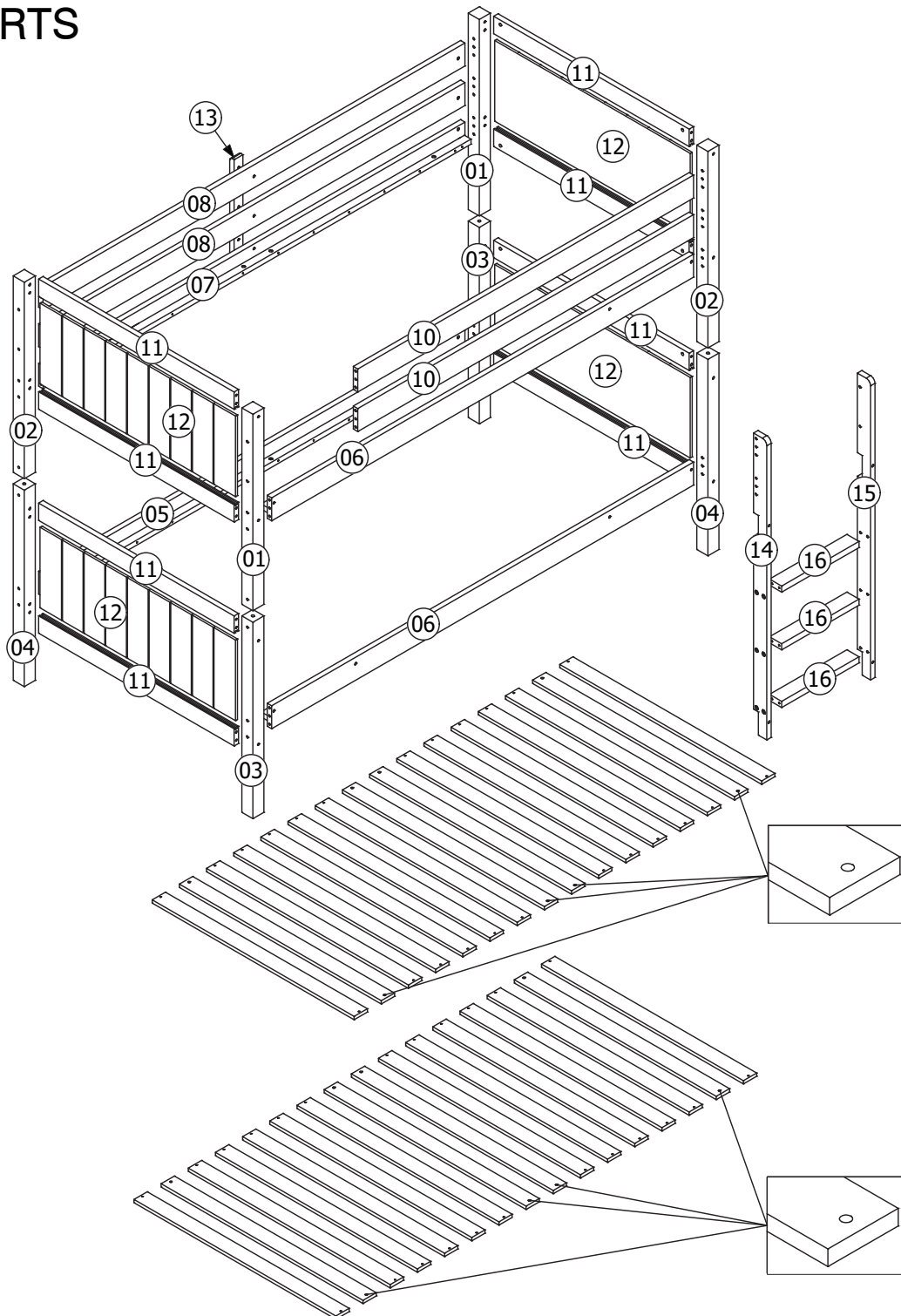
<p>JCBC M6x90mm AX38</p> 	<p>Barrel Nut M6 xØ10.5x16mm BX40</p> 	<p>Wood Dowel Ø8x30mm CX40</p> 	<p>JCBC M6x60mm DX3</p> 
<p>JCBB Ø6x70mm EX12</p> 	<p>JCBC M6x50mm FX4</p> 	<p>JCBC M6x30mm GX11</p> 	<p>JCBC M6x25mm HX16</p> 
<p>Nut M8x20mm IX8</p> 	<p>Connecting Bolt Ø10x80mm JX4</p> 	<p>Allen Key 4mm KX2</p> 	<p>Csk Ø4x30mm LX48</p> 
<p>Cap Ø8mm MX6</p> 	<p>Block 63x30x20mm NX2</p> 	<p>Pad 40x40mm OX4</p> 	

We strongly advise that you do not use Power Tools, such as drills or electric screwdrivers during the assembly as this may cause irreparable damage and will invalidate your warranty.



Do Not Use Power Tools

PARTS



Please ensure you carefully check all the pieces, should you have any concerns please contact the retailer before assembly commences. Please have your order number, detail of the issue, the product code, and the batch number from the cartons as this will help us to resolve your issue much faster.

ASSEMBLY ADVICE

Please take the time to carefully read through these instructions before you commence.

Keep these instructions for future reference.

We advise that the product is assembled in the room it is intended for.

We advise that you keep the hardware in a bowl during assembly to avoid losing anything.

We strongly recommend that you keep children away from the work area.

Small component parts could choke a child if swallowed.

We recommend you use a sheet or blanket to protect both floor and product through the assembly stages.

This product is heavy, and we recommend a 2 person lift to avoid personal injury or damage to the product.

Never push or pull the product as this could cause both personal injury or irreparable damage to product or floor.

We have tried to make this piece of furniture easy to assemble if the instructions are followed carefully.

In the unlikely event that you have problems with assembling the product or have missing or damaged parts, please contact your retailer and we will assist them in rectifying the problem as quickly as possible.

Please remember we strongly urge you **DO NOT** use power tools such as drill or electric screwdrivers as this could cause irreparable damage to your product and will invalidate your warranty.



Do Not Use Power Tools

EN - Instructions for use

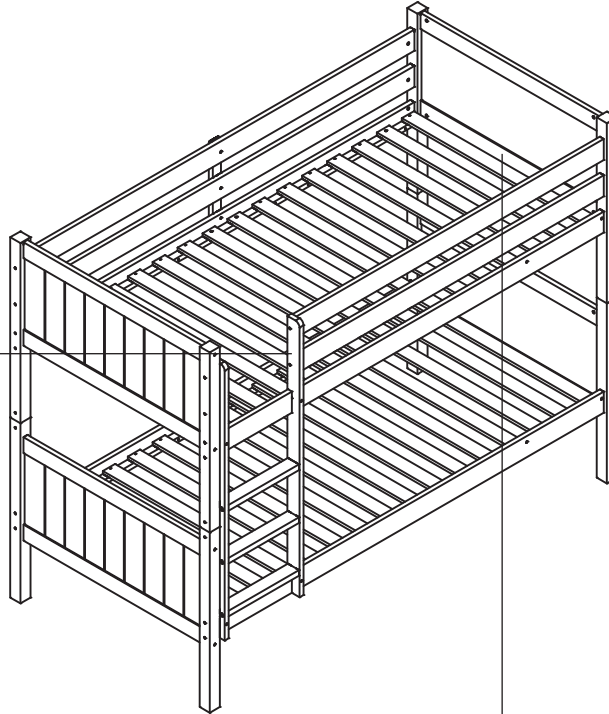
IMPORTANT – READ CAREFULLY – KEEP FOR FUTURE REFERENCE

- a) WARNING "High beds and the upper bed of bunk beds are not suitable for children under six years due to the risk of injury from falls";
- b) WARNING "Bunk beds and high beds can present a serious risk of injury from strangulation if not used correctly. Never attach or hang items to any part of the bunk bed that are not designed to be used with the bed, for example, but not limited to ropes, strings, cords, hooks, belts and bags"
- c) WARNING "Children can become trapped between the bed and the wall, a roof pitch, the ceiling, adjoining pieces of furniture (e.g. cupboards) and the like. To avoid risk of serious injury the distance between the top safety barrier and the adjoining structure shall not exceed 75 mm or shall be more than 230 mm";
- d) **WARNING** Do not use the upper bunk bed or a raised bed if a part of the structure is missing or broken. Spare parts should be requested from the manufacturer or shop.
- e) It is essential that the manufacturer's instructions on assembly and use are followed.
- f) The recommended size of the mattress to be used with the bed is 1900mm x 900mm, **Maximum mattress thickness: 190mm**
- g) Mattresses must be aired to maintain a low humidity and to stop moisture building up in the bed and its surroundings.
- k) The fastenings put in place on assembly should all be properly tightened and regularly checked. Retighten the fastenings as necessary.
- l) This complies with the requirements of the European Safety Standard EN747-1&2:2012+A1:2015
- m) The presence of a night light could give more safety for a child sleeping in an upper bed.

L

L

IMPORTANT SAFETY WARNING!
DO NOT PLACE THE MATTRESS ABOVE
THE LINE MARKED ABOVE AND DO NOT
REMOVE THIS LABEL.



DO NOT REMOVE THE EN747 P LABEL.



BELLA BUNK BED

Product Code - BEL301/BEL302/BEL303
Julian Bowen Limited
Bentnck House,
Park Lane Busienss Park,
Kirby-in-Ashfield,
Nottinghamshire,
NG17 9LE

CERTIFICATION LABEL

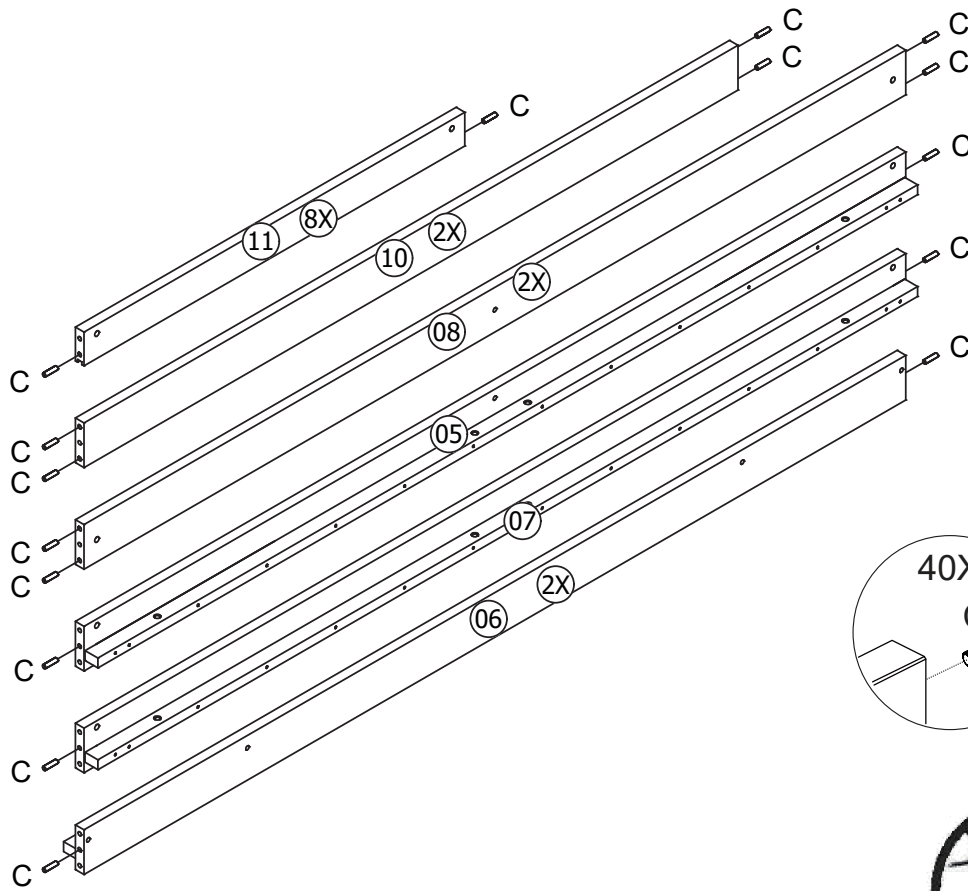
This bunk bed model has been tested
by an independent laboratory and is
in compliance with
BS EN 747-1&2:2012 +A1:2015 -
Standard Consumer Safety Specification
For Bunk Beds & High Beds


Factory ID: Manufactured in China

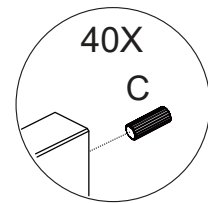
Date of Manufacture:

WARNING: THIS UPPER BED IS NOT SUITABLE FOR CHILDREN UNDER SIX YEARS

01

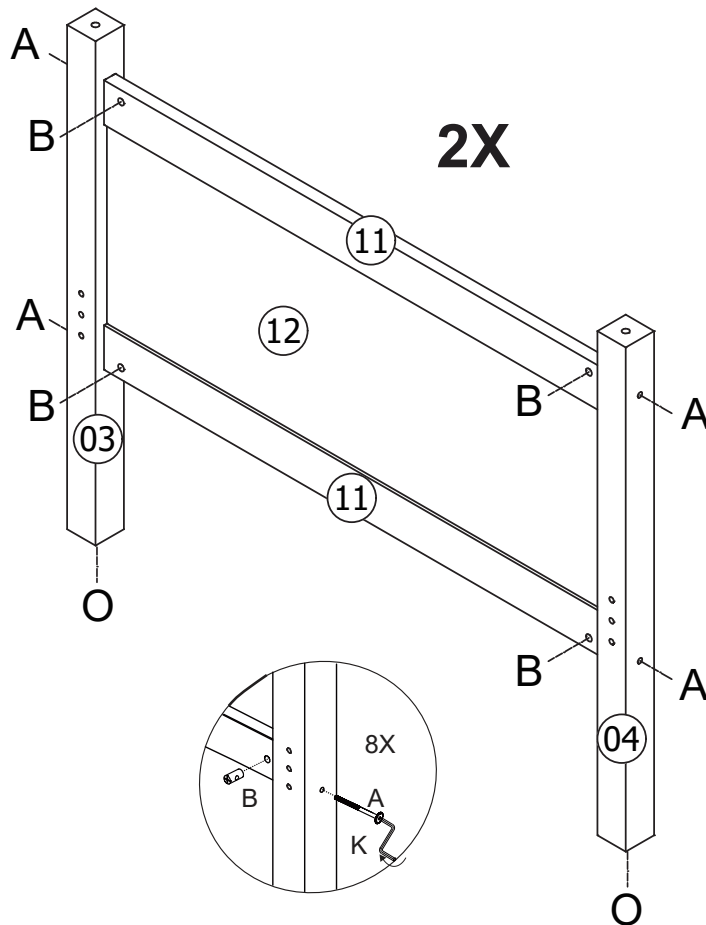



Wood Dowel Ø8x30mm
 C
40




Do Not Use Power Tools




02

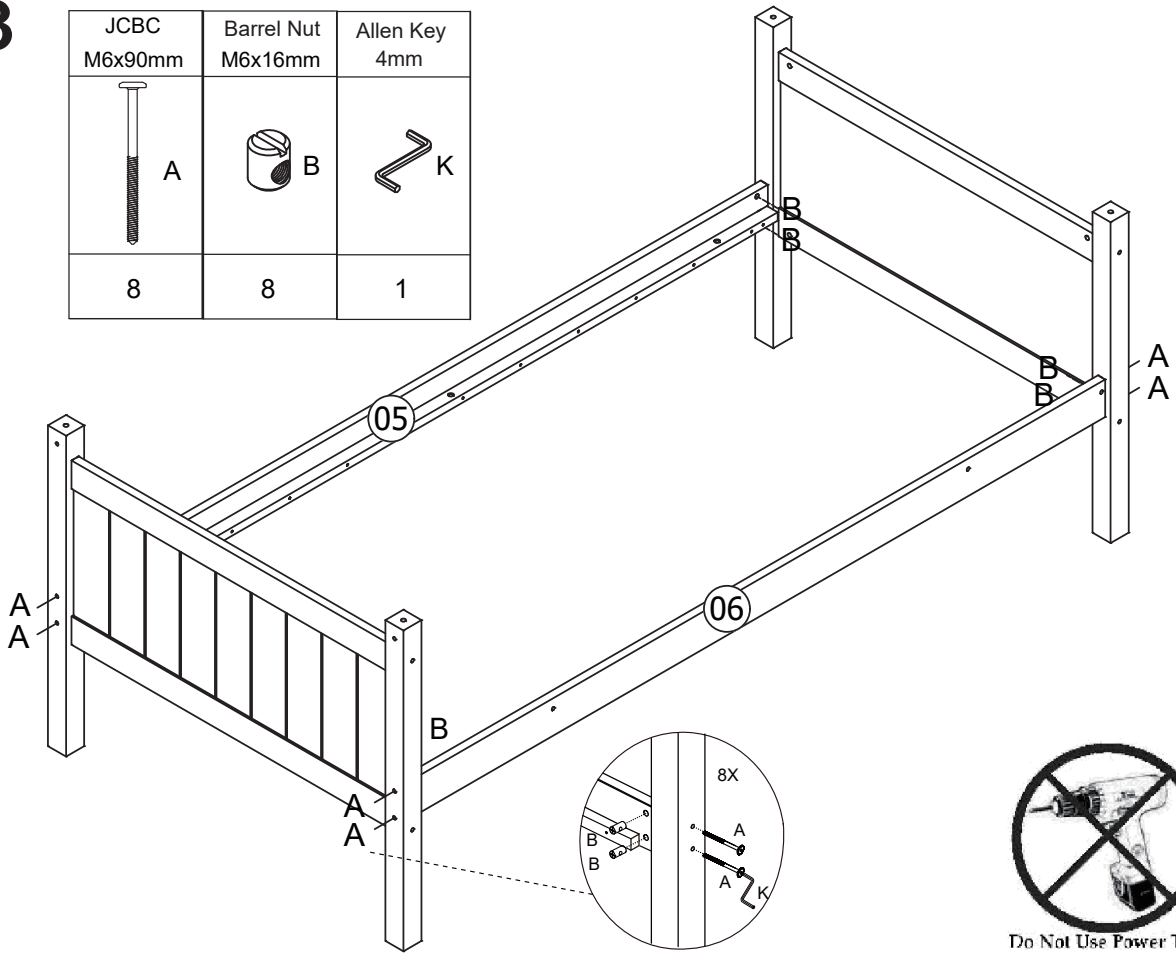


JCBC M6x90mm
 A
8
Barrel Nut M6x16mm
 B
8

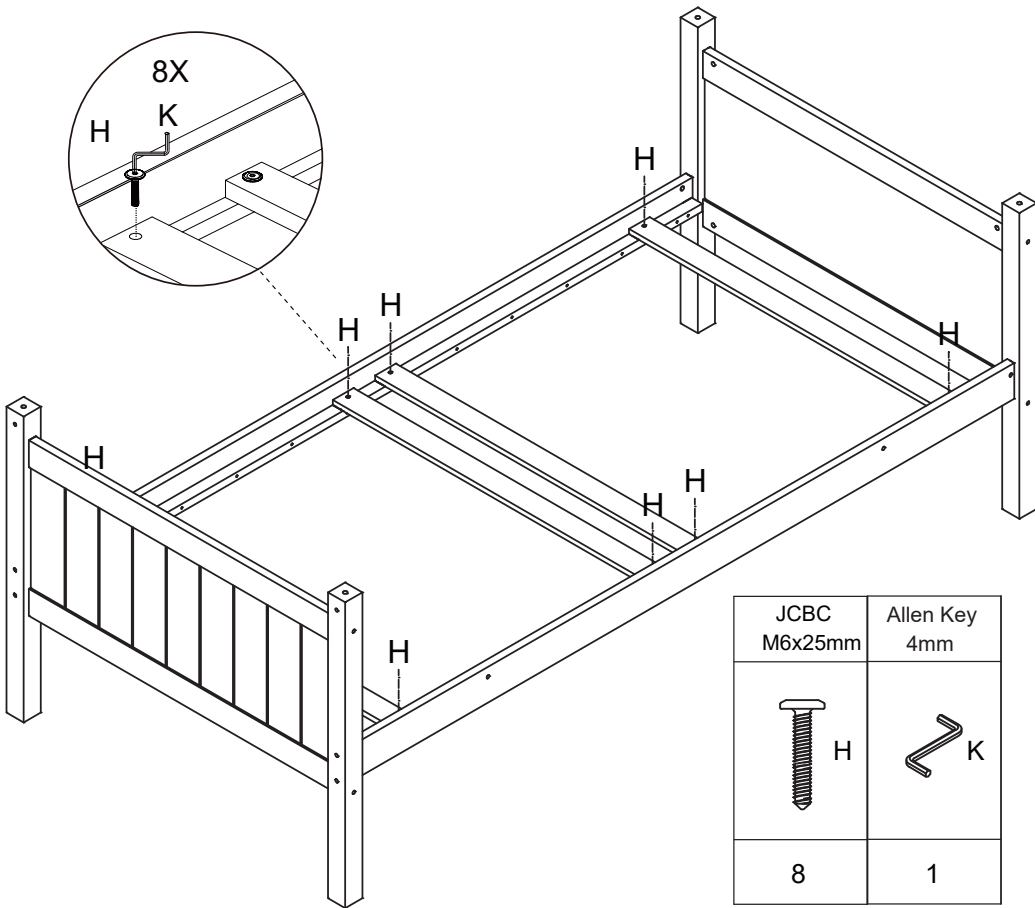
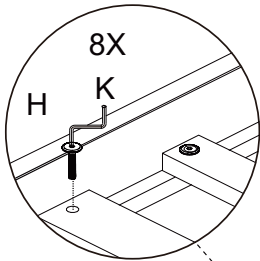
Allen Key 4mm
 K
1
Pad 40x40mm
 O
4



03

JCBC M6x90mm	Barrel Nut M6x16mm	Allen Key 4mm
 A	 B	 K
8	8	1

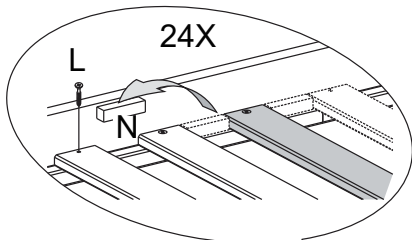


04

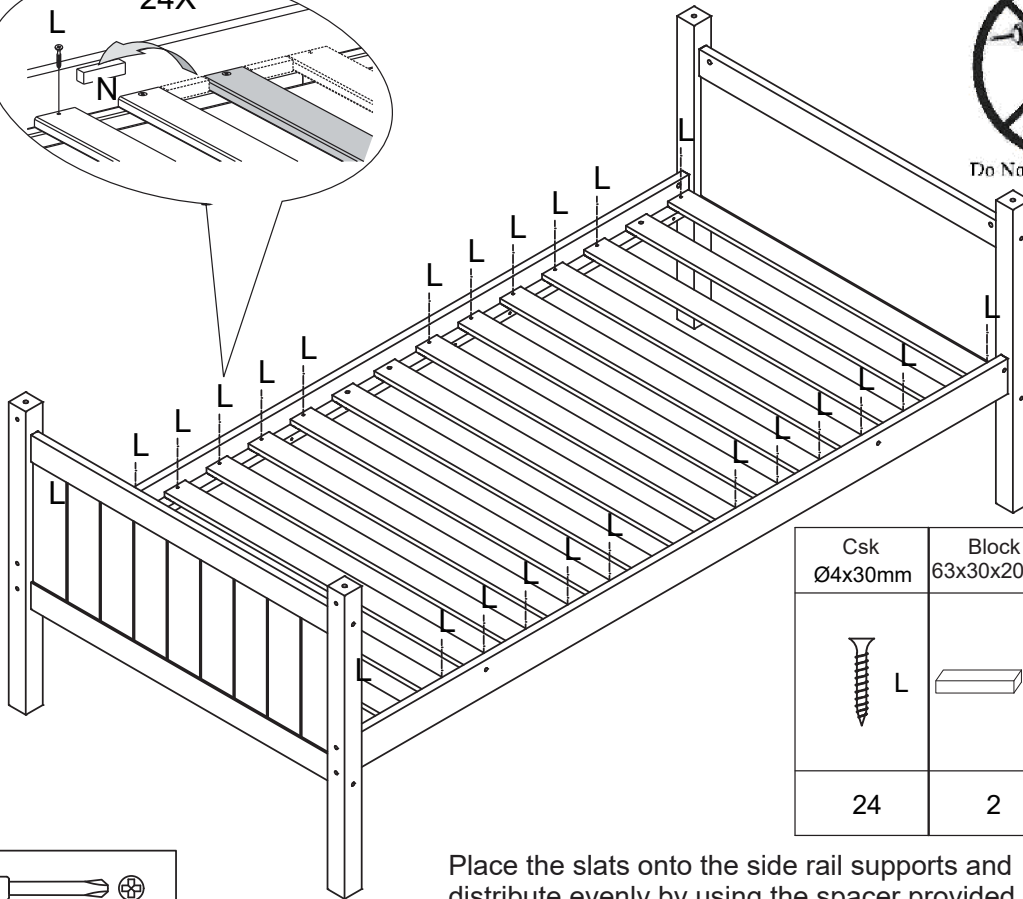



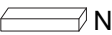
JCBC M6x25mm	Allen Key 4mm
 H	 K
8	1

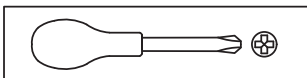
05



Do Not Use Power Tools

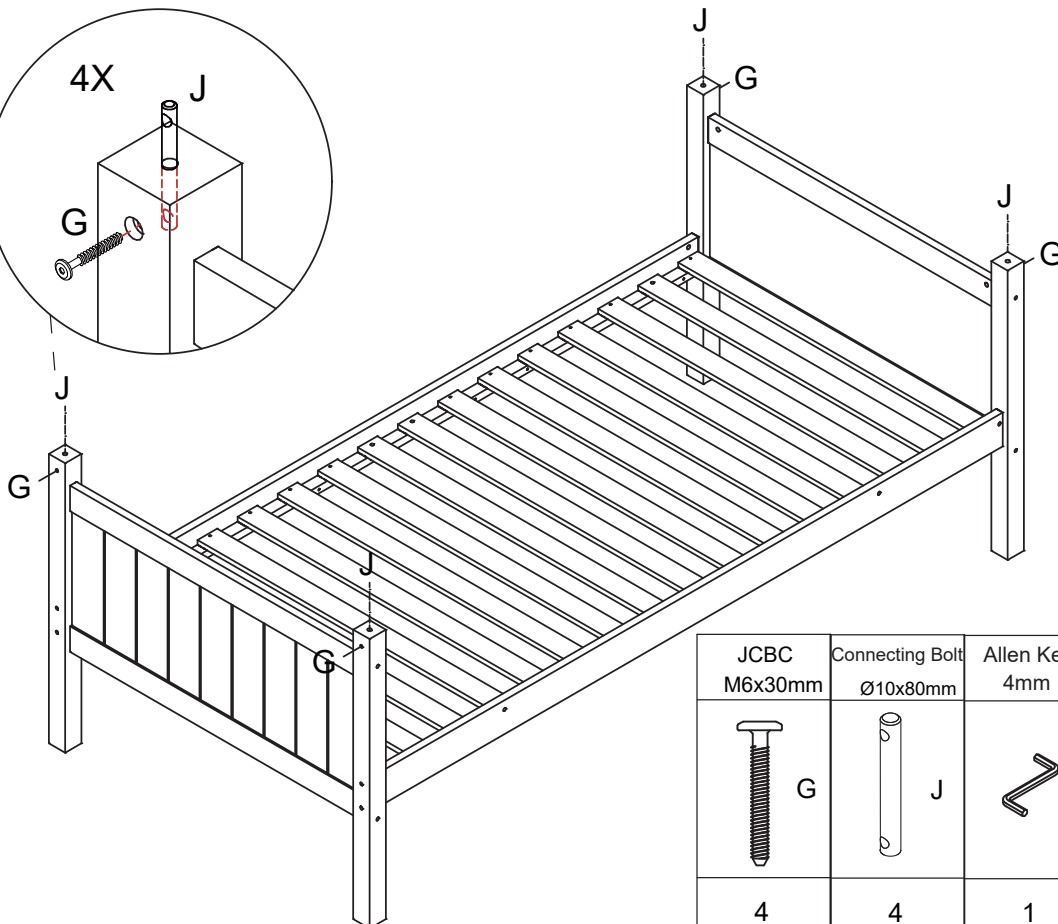
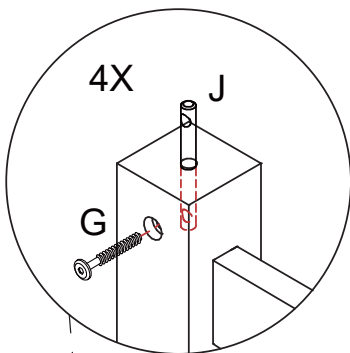





Csk Ø4x30mm	Block 63x30x20mm
 L	 N
24	2



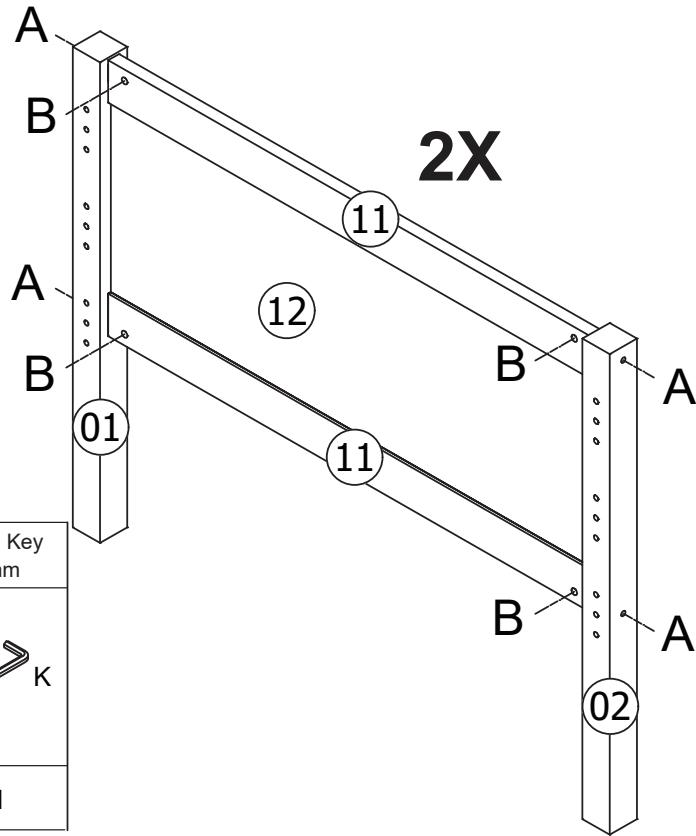
Place the slats onto the side rail supports and distribute evenly by using the spacer provided.

06

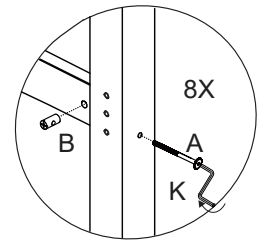





JCBC M6x30mm	Connecting Bolt Ø10x80mm	Allen Key 4mm
 G	 J	 K
4	4	1

07

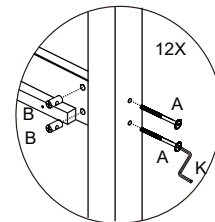
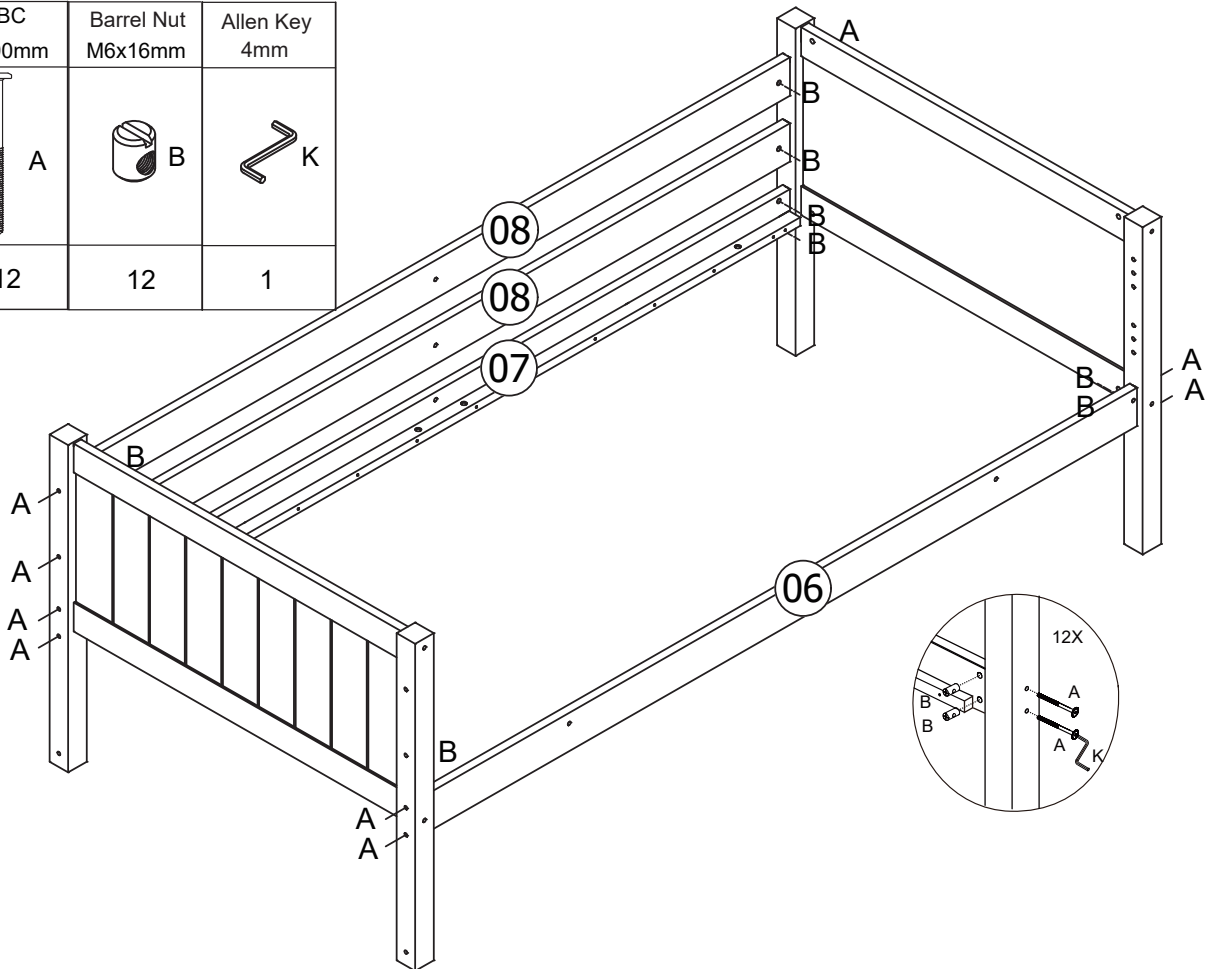





Do Not Use Power Tools



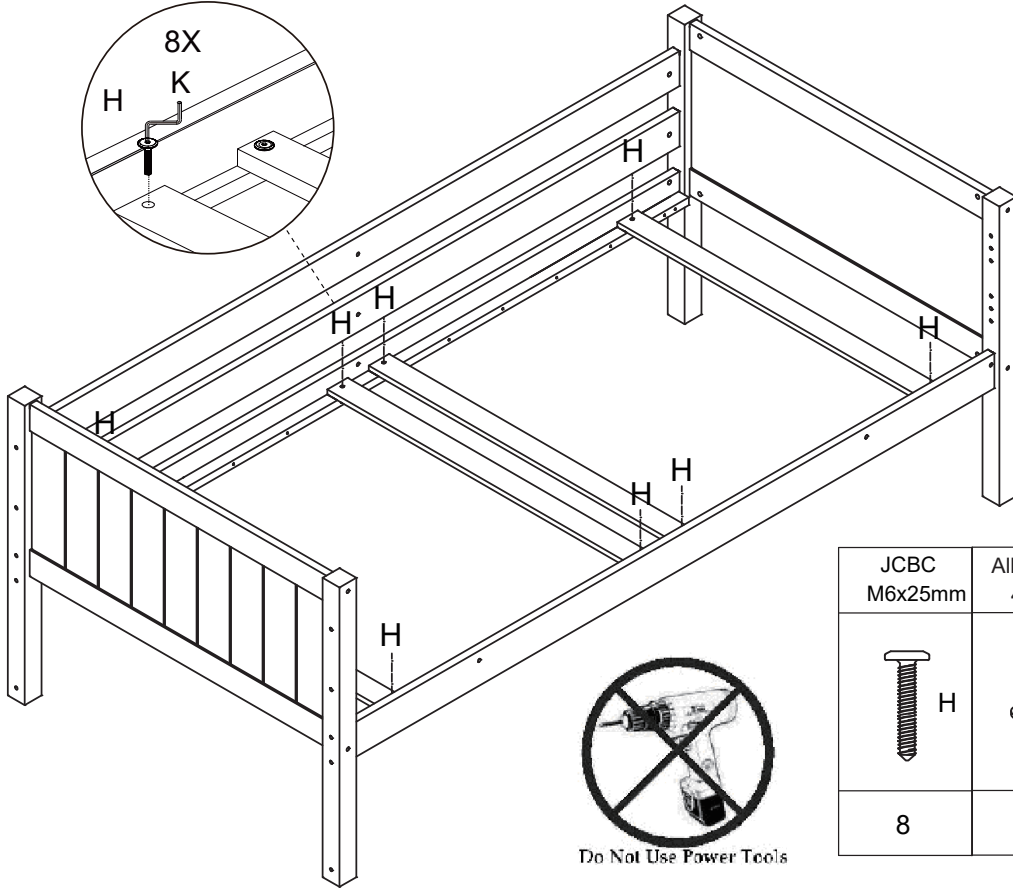
JCBC M6x90mm	Barrel Nut M6x16mm	Allen Key 4mm
 A	 B	 K
8	8	1



08



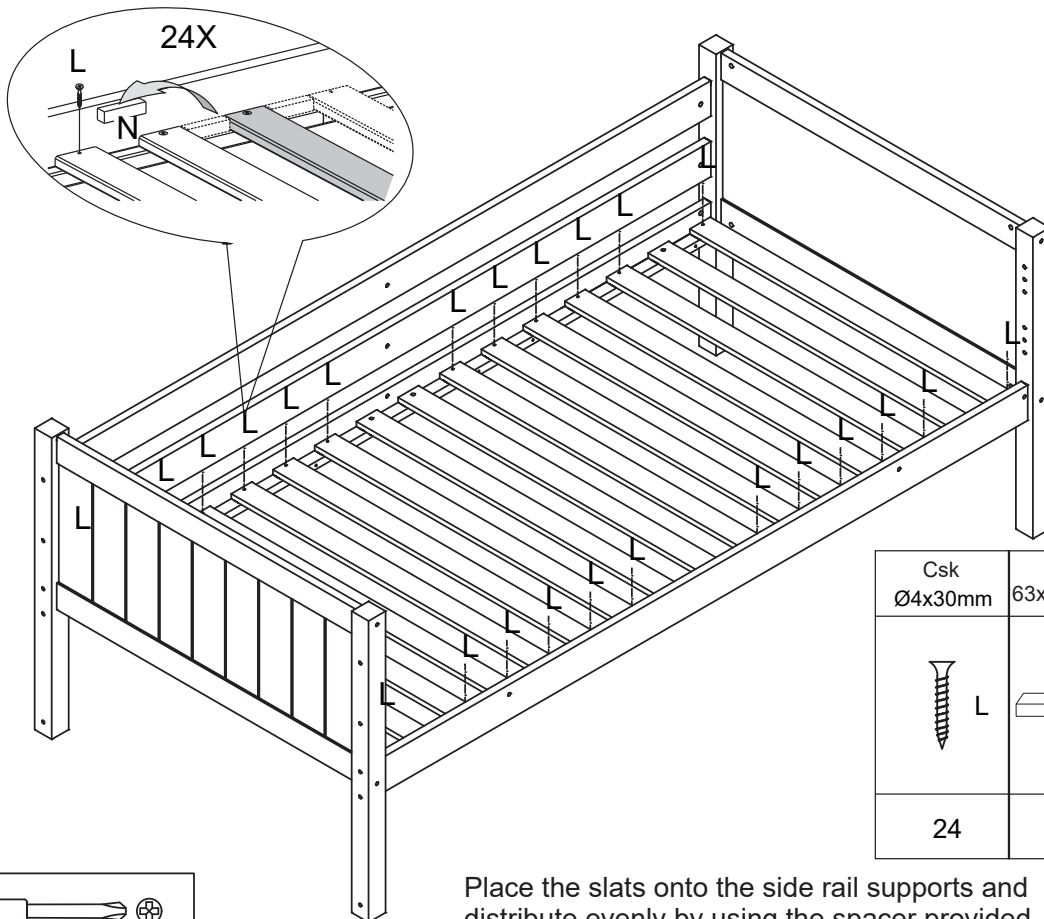
JCBC M6x90mm	Barrel Nut M6x16mm	Allen Key 4mm
 A	 B	 K
12	12	1



09



JCBC M6x25mm	Allen Key 4mm
 H	 K
8	1

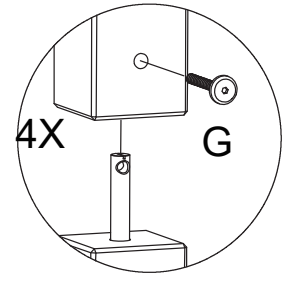
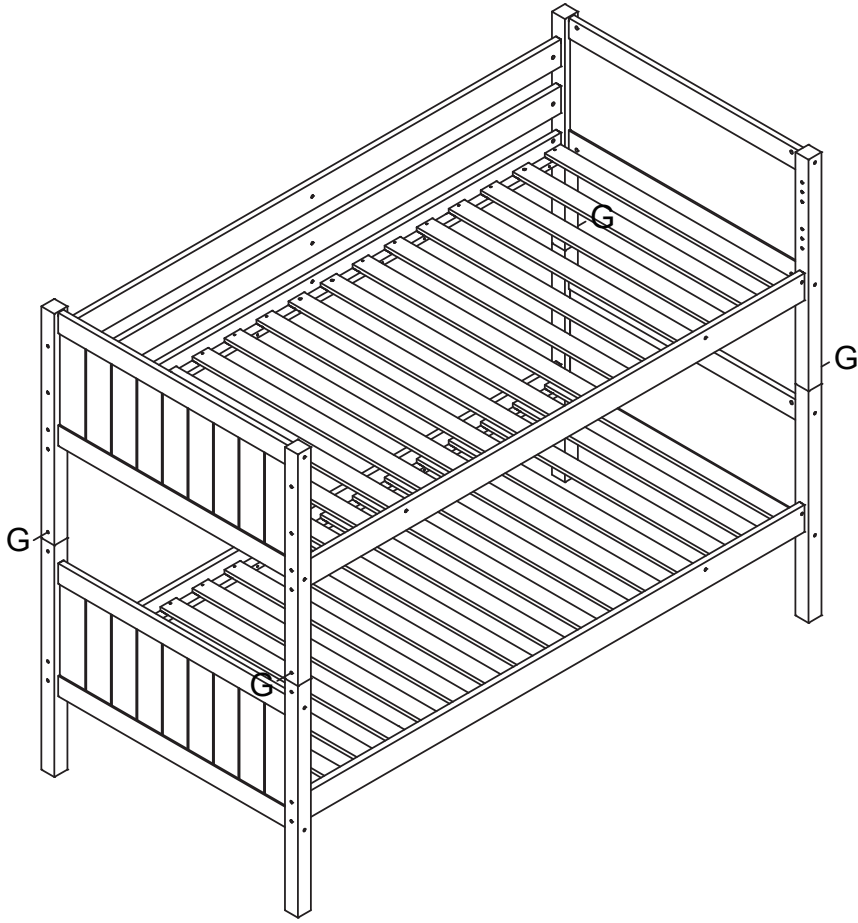
10





Csk Ø4x30mm	Block 63x30x20mm
 L	 N
24	2

Place the slats onto the side rail supports and distribute evenly by using the spacer provided.

11

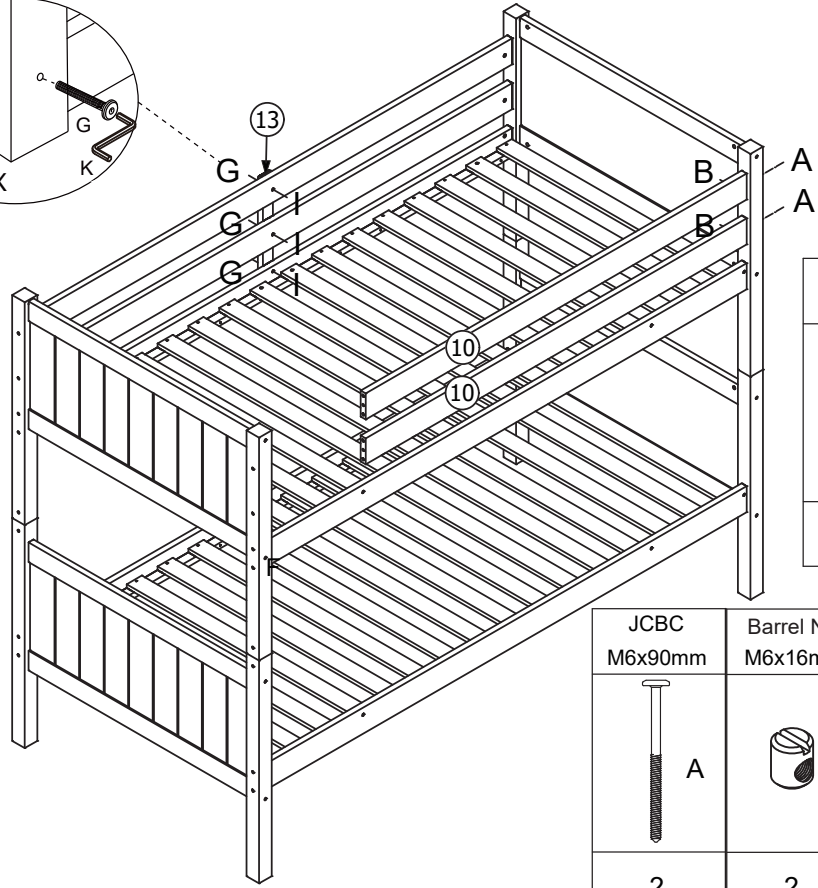
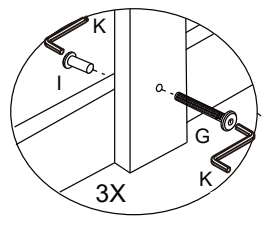



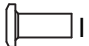
JCBC M6x30mm	Allen Key 4mm
 G	 K
4	1






Do Not Use Power Tools

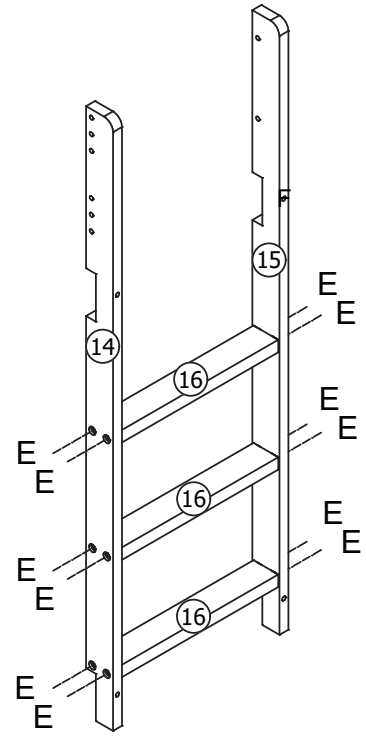
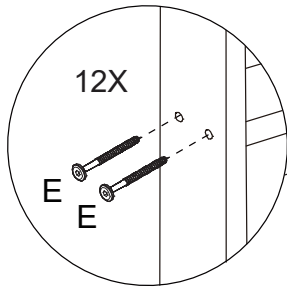
12





JCBC M6x30mm	Nut M8x20mm
 G	 I
3	3

JCBC M6x90mm	Barrel Nut M6x16mm	Allen Key 4mm
 A	 B	 K
2	2	1

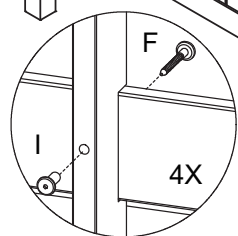
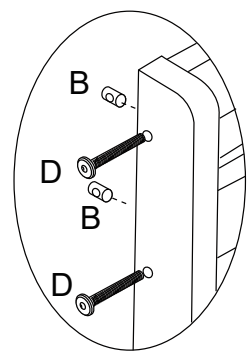
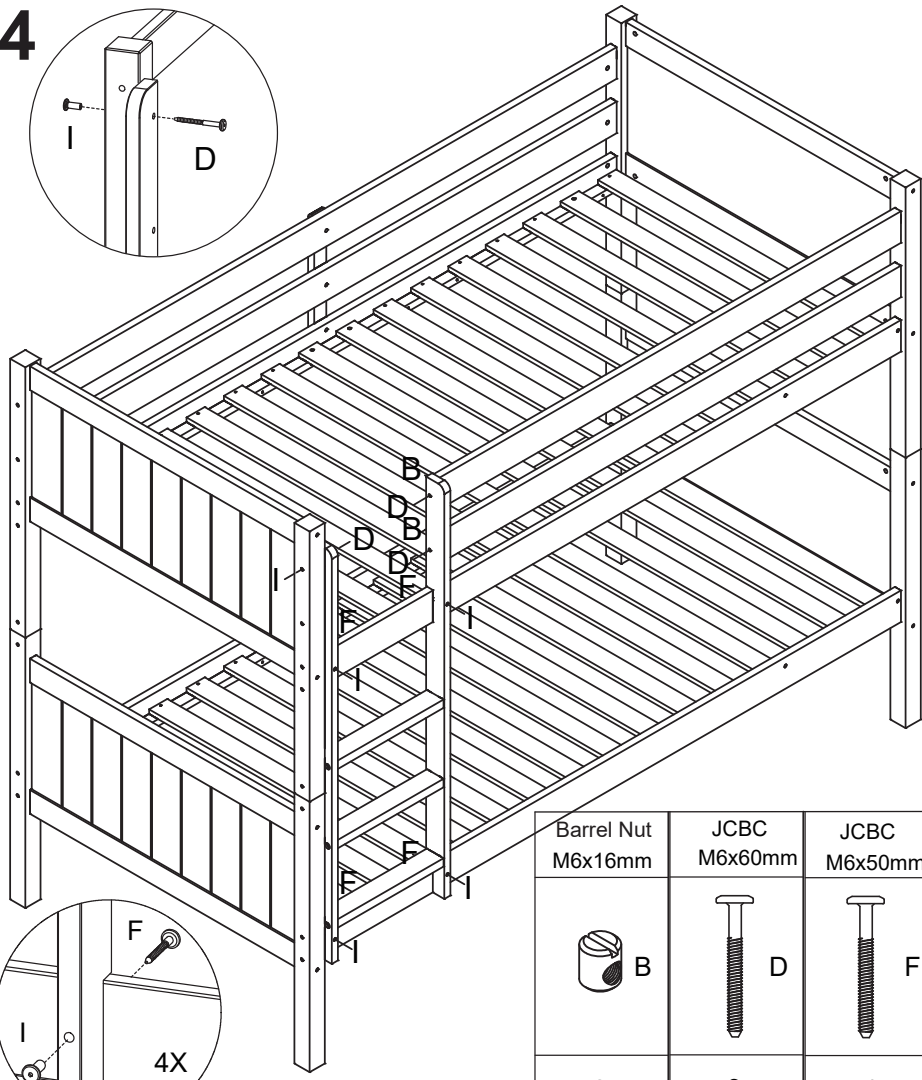
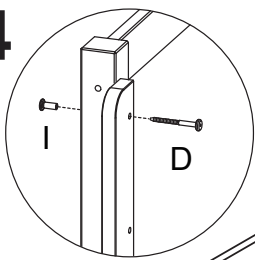
13








JCBB Ø6x70mm	Allen Key 4mm
 E	 K
12	1



14

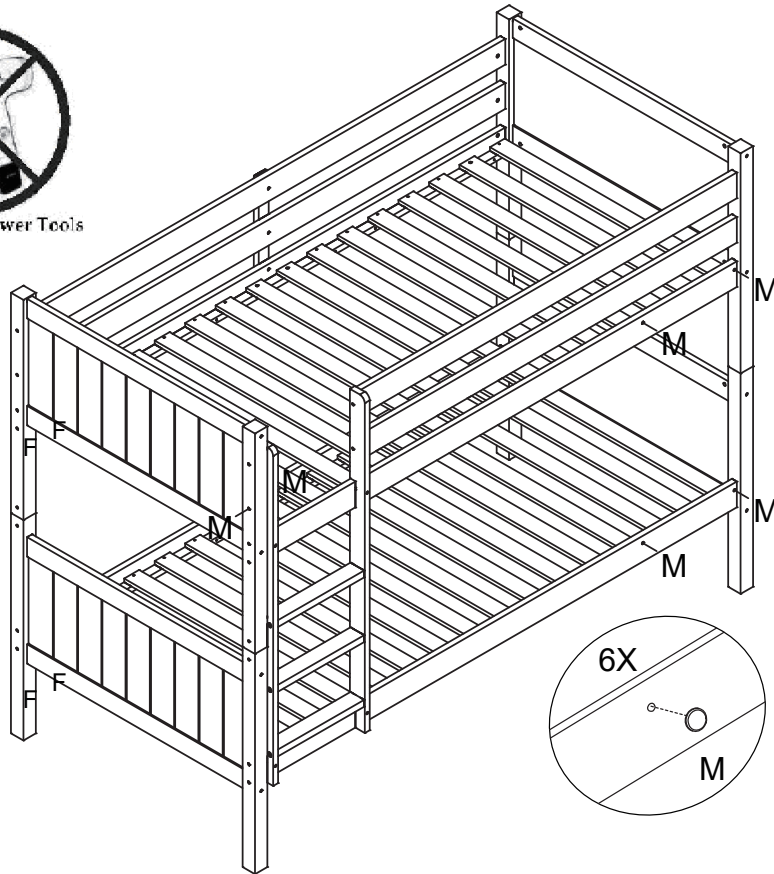


Barrel Nut M6x16mm	JCBC M6x60mm	JCBC M6x50mm	Nut M8x20mm	Allen Key 4mm
 B	 D	 F	 I	 K
2	3	4	5	2

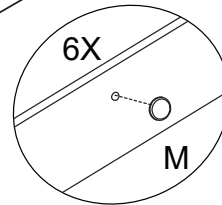
15



Do Not Use Power Tools

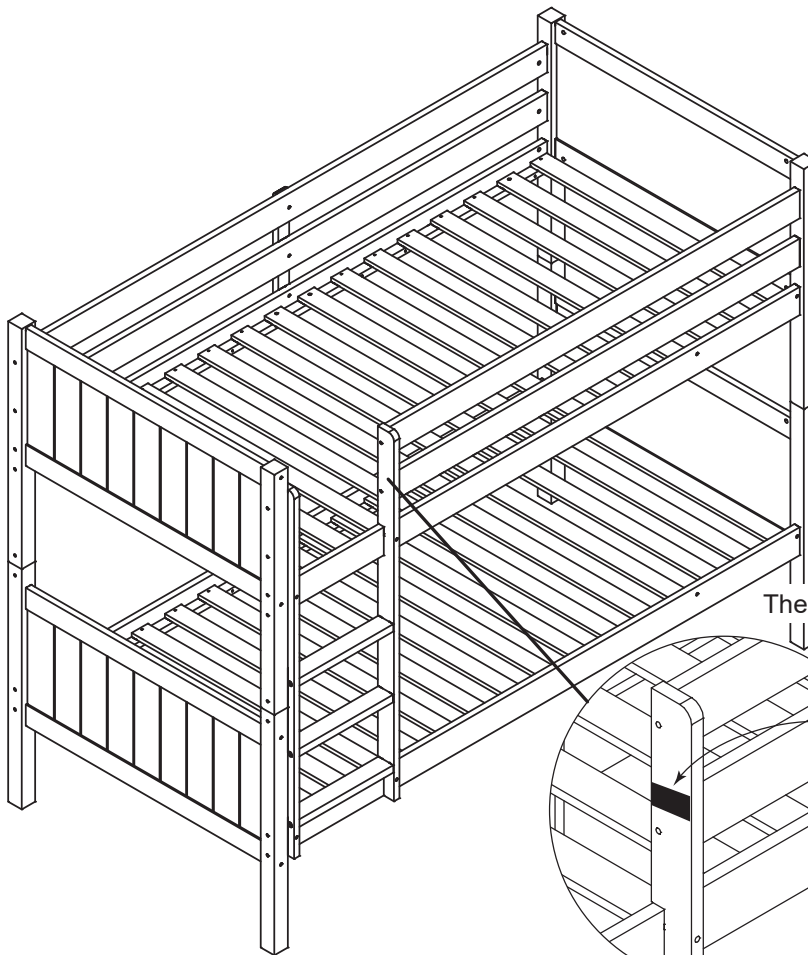


Cap Ø8mm
M
6

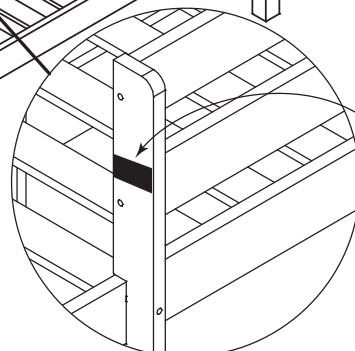


Do Not Use Power Tools

16



These labels are not to be removed.



IMPORTANT SAFETY WARNING!
DO NOT PLACE THE MATTRESS ABOVE
THE LINE MARKED ABOVE AND DO NOT
REMOVE THIS LABEL.

GENERAL CARE & MAINTENANCE

We advise that when cleaning the product that a damp cloth is used.

Avoid the use of all household cleaners and abrasive.

Never push or drag the furniture.

Never attempt to move the furniture when fully loaded.

We advise that periodically all fixing are re-tightened.