

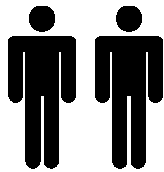
ASSEMBLY INSTRUCTIONS

Bunk Bed

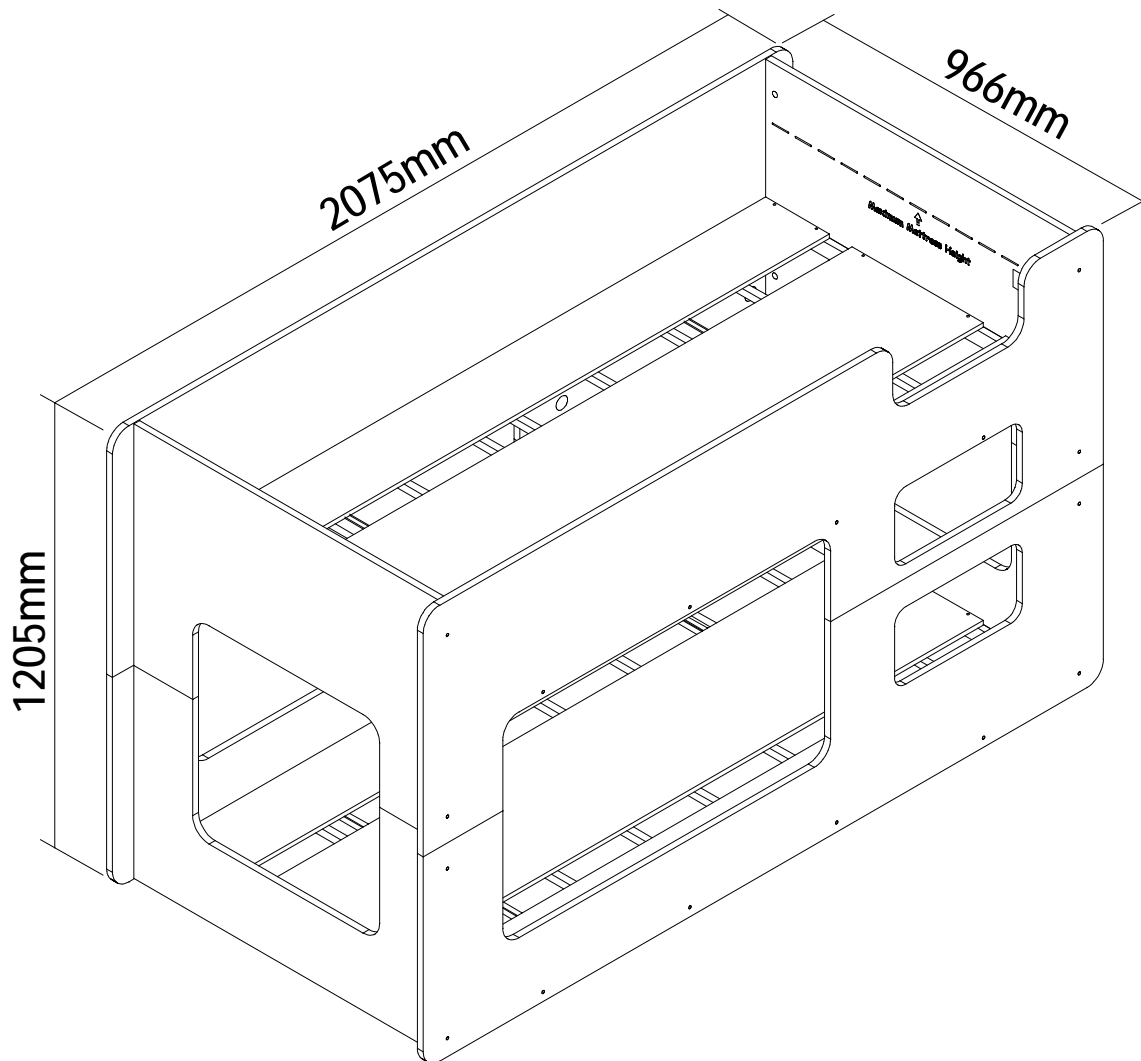
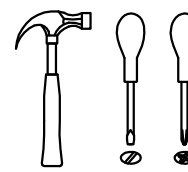
Approximate Assembly Time



People Required to Assemble



Tools Required



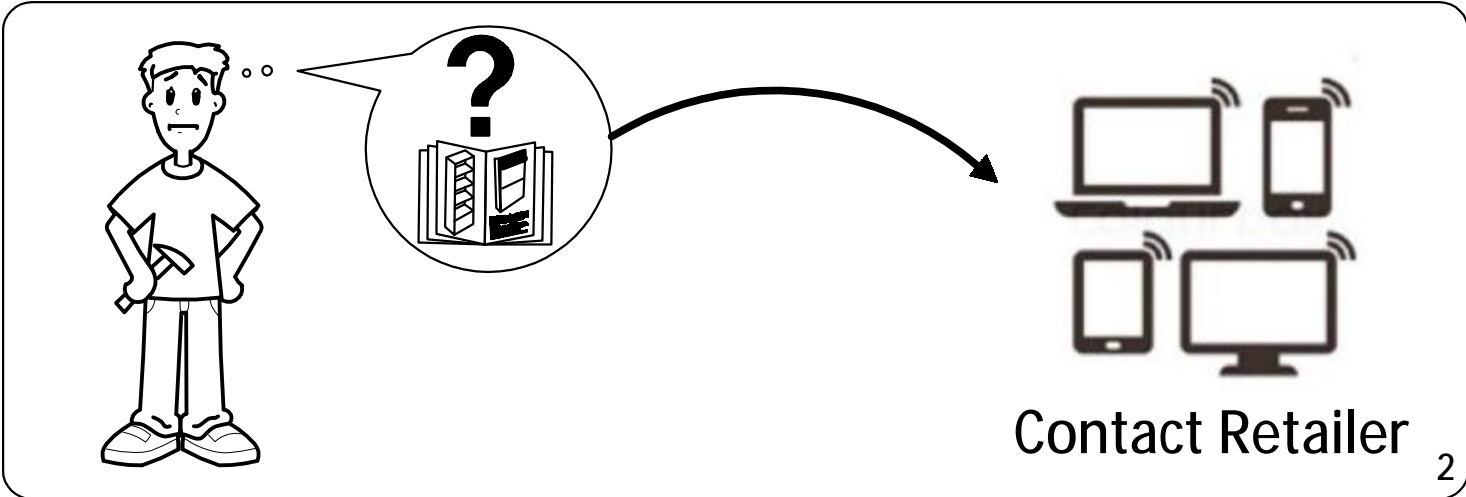
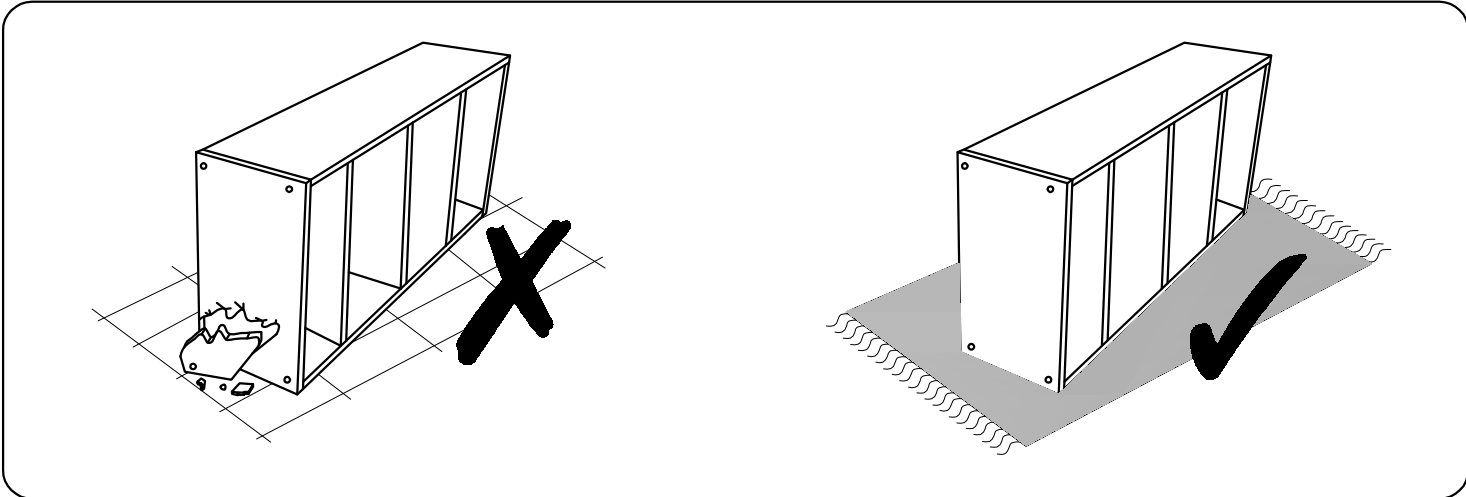
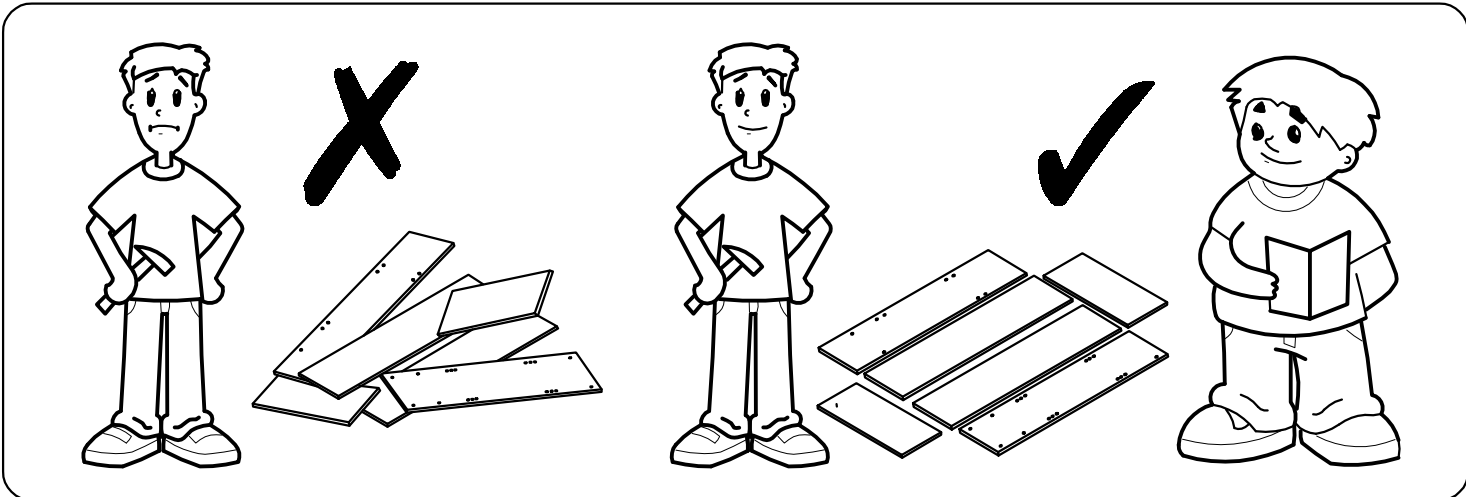
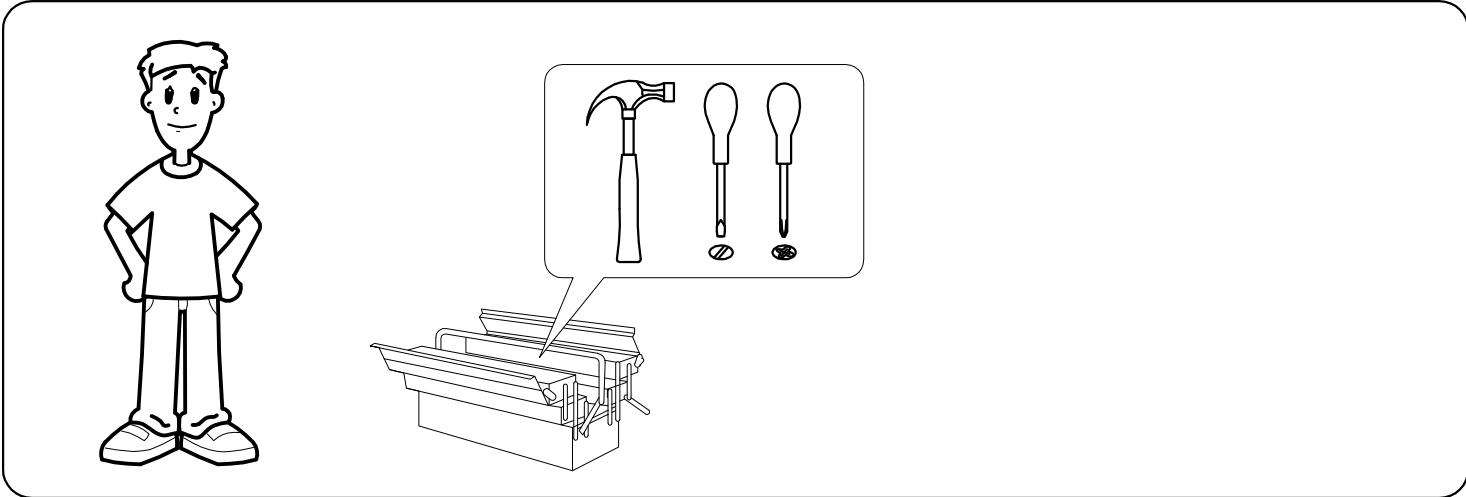
Before you start...

Please carefully unpack and lay out all of the component parts to ensure nothing is missing and to check each component for any obvious damage.

Should you identify any concerns at this stage please contact the retailer from whom this product was purchased. Please quote your order number, details of your issue, the product code, and the batch number from the cartons which will help to resolve your issue as quickly as possible.

Version Number - 1.0

Product Code - SOL 001
SOL 002



Contact Retailer

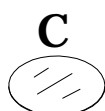
Please check all hardware matches the list below. Should you notice any are missing please contact your retailer.



10x11mm
16x



8x30mm
28x



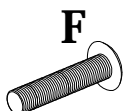
Sticker 50mm
12x



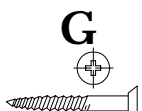
6x25mm
12x



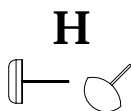
6x30mm
16x



6x50mm
16x



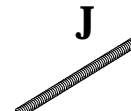
3.5x29mm
24x



20X15mm
4x



6x15mm
16x



6x100mm
6x



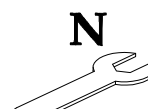
6x12X3mm
12x



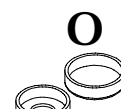
30x15x9mm
12x



6x13x1mm
12x



Spanner
2x

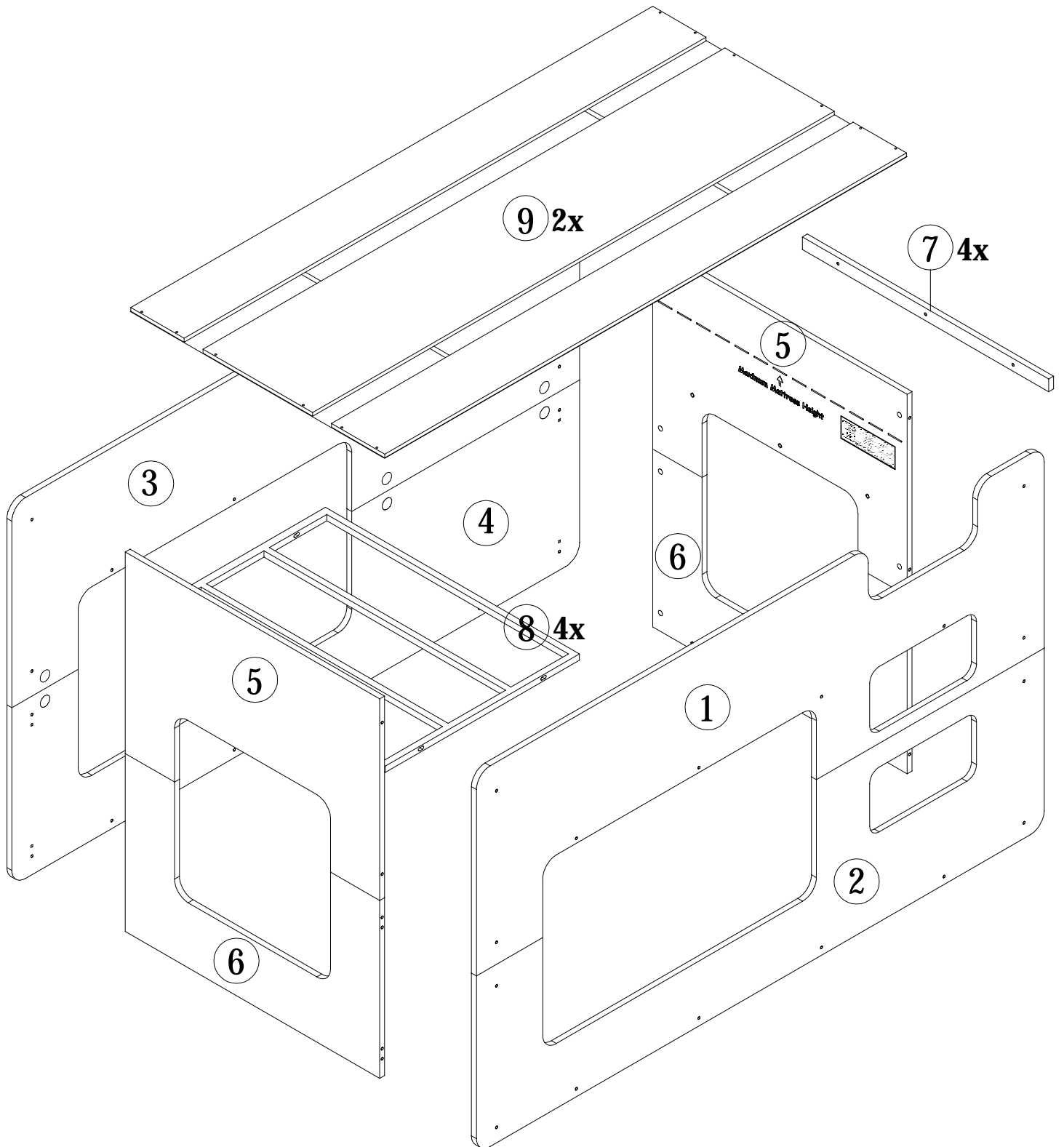


32x

We strongly advise that you do not use Power Tools, such as drills or electric screwdrivers during the assembly as this may cause irreparable damage and will invalidate your warranty.



PARTS



Please ensure you carefully check all the pieces, should you have any concerns please contact the retailer before assembly commences. Please have your order number, details of the issue, the product code, and the batch number from the cartons as this will help us to resolve your issue much faster.

Safety Advice

WARNING: This bunk is intended for use by children only, with a maximum recommended weight of 75 Kg. Julian Bowen Ltd. cannot be held responsible for failure or damage to the bunk or personal injuries should this warning be ignored

Please take the time to carefully read through the whole of these instructions before you commence. Keep these instructions for future reference.

Unpack, inspect and check off all of the contents.

Please dispose of all packaging safely.

Small component parts could choke a child if swallowed.

We strongly recommend that you keep children well away from the work area.

It would be sensible to lay a sheet or blanket on the floor where you intend to work to avoid scratching this product and to protect your floor.

This product is heavy. Take extreme care when lifting to avoid personal injury or damage to the product.

Assemble the product as close to its intended final position in the room as possible.

Please check the contents of the boxes before attempting to assemble this product.

A full checklist of parts and fittings is given in pages 3 and 4 of this instruction leaflet.

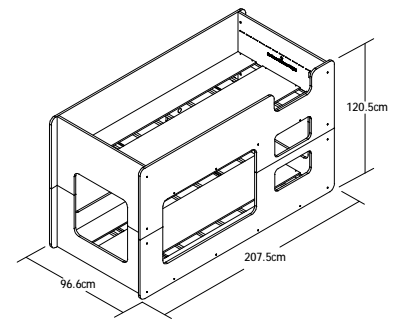
HANDY HINT: If you keep the hardware in a bowl during assembly you will be less likely to lose

Important Information

Tighten firmly all the fittings when the assembly is complete.

The bed base is an integral and in dissociable part of the bed.

WARNING: High beds and the upper bed of bunk beds are not suitable for children under six years due to the risk of injury through falls.



WARNING: It is not safe to use this product if any part of the structure is missing or broken.

Always check fixings of the items and re-tighten all the screws periodically.

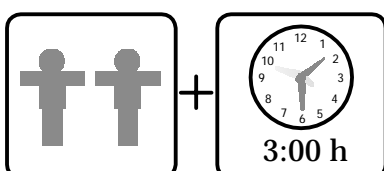
WARNING: Bunk beds and High beds can present a serious risk of injury from strangulation if not used correctly. Never attach or hang items to any part of the bunk bed that are not designed to be used with the bed, for example, but not limited to ropes, strings, cords, hooks, belts and bags.

WARNING: Children can become trapped between the bed and the wall, a roof pitch, the ceiling, adjoining pieces of furniture (e.g cupboards) and the like. To avoid risk of serious injury the distance between the top safety barrier and the adjoining structure shall not exceed 75 mm or shall be more than 230 mm. It is recommended that you always follow the manufacturer's instructions to assemble this product.

Always follow the manufacturer's recommended mattress size, as per these Instructions and the bunk bed / high bed maximum mattress height marking on the item: "91cm W x 190cm L with a Maximum Depth of 21.0cm."

It is necessary to frequently ventilate the room in order to keep the humidity low and to prevent mould in and around the bed.

This item conforms to European Safety Standards - BS EN 747-1: 2012 + A1:2015



ASSEMBLY ADVICE

Please take the time to carefully read through these instructions before you commence.

Keep these instructions for future reference.

We advise that the product is assembled in the room it is intended for.

We advise that you keep the hardware in a bowl during assembly to avoid losing anything.

We strongly recommend that you keep children away from the work area.

Small component parts could choke a child if swallowed.

We recommend you use a sheet or blanket to protect both floor and product through the assembly stages.

This product is heavy, and we recommend a 2 person lift to avoid personal injury or damage to the product.

Never push or pull the product as this could cause both personal injury or irreparable damage to product or floor.

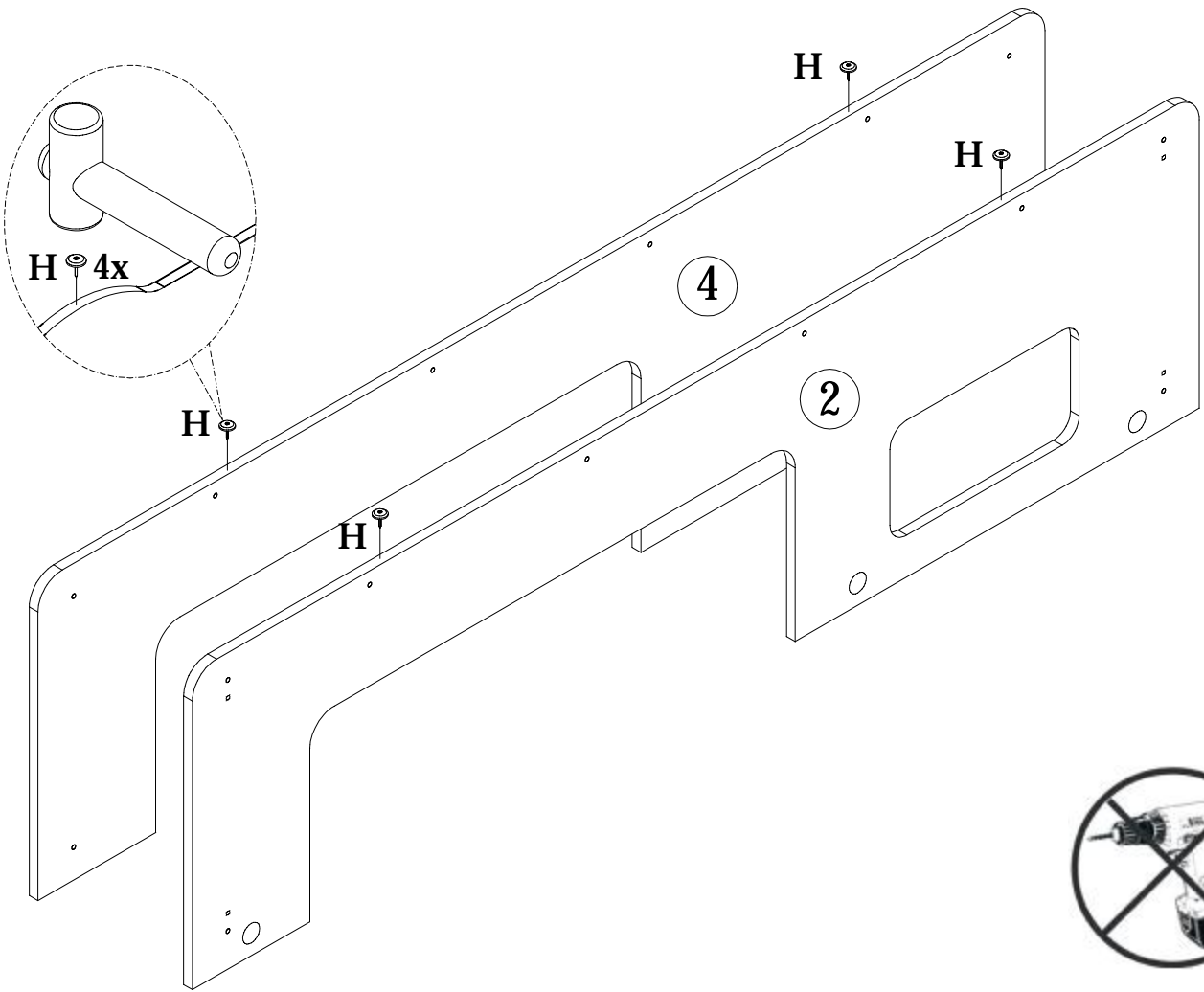
We have tried to make this piece of furniture easy to assemble if the instructions are followed carefully.

In the unlikely event that you have problems with assembling the product or have missing or damaged parts, please contact your retailer and we will assist them in rectifying the problem as quickly as possible.

Please remember we strongly urge you DO NOT use power tools such as drill or electric screwdrivers as this could cause irreparable damage to your product and will invalidate your warranty.



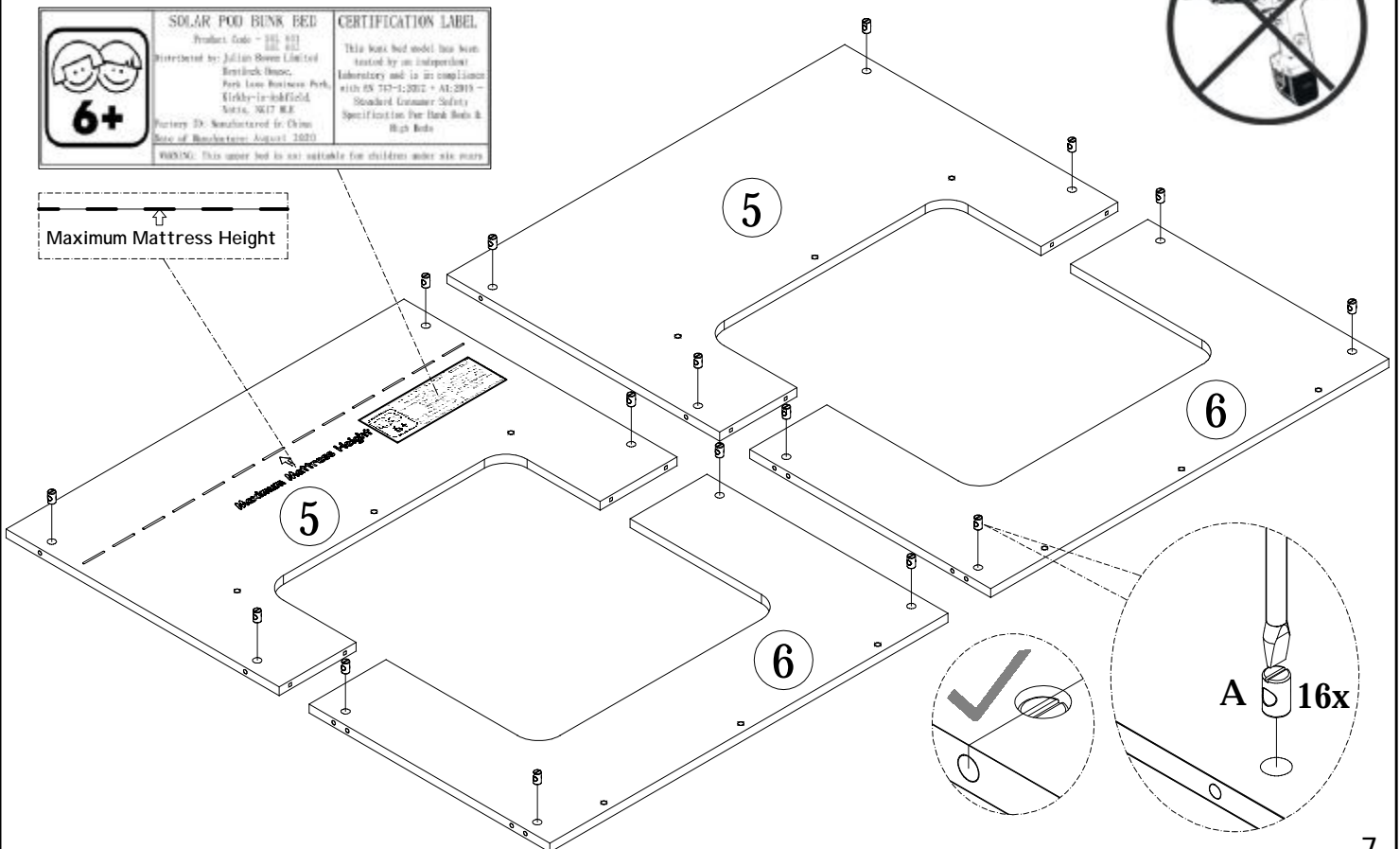
1



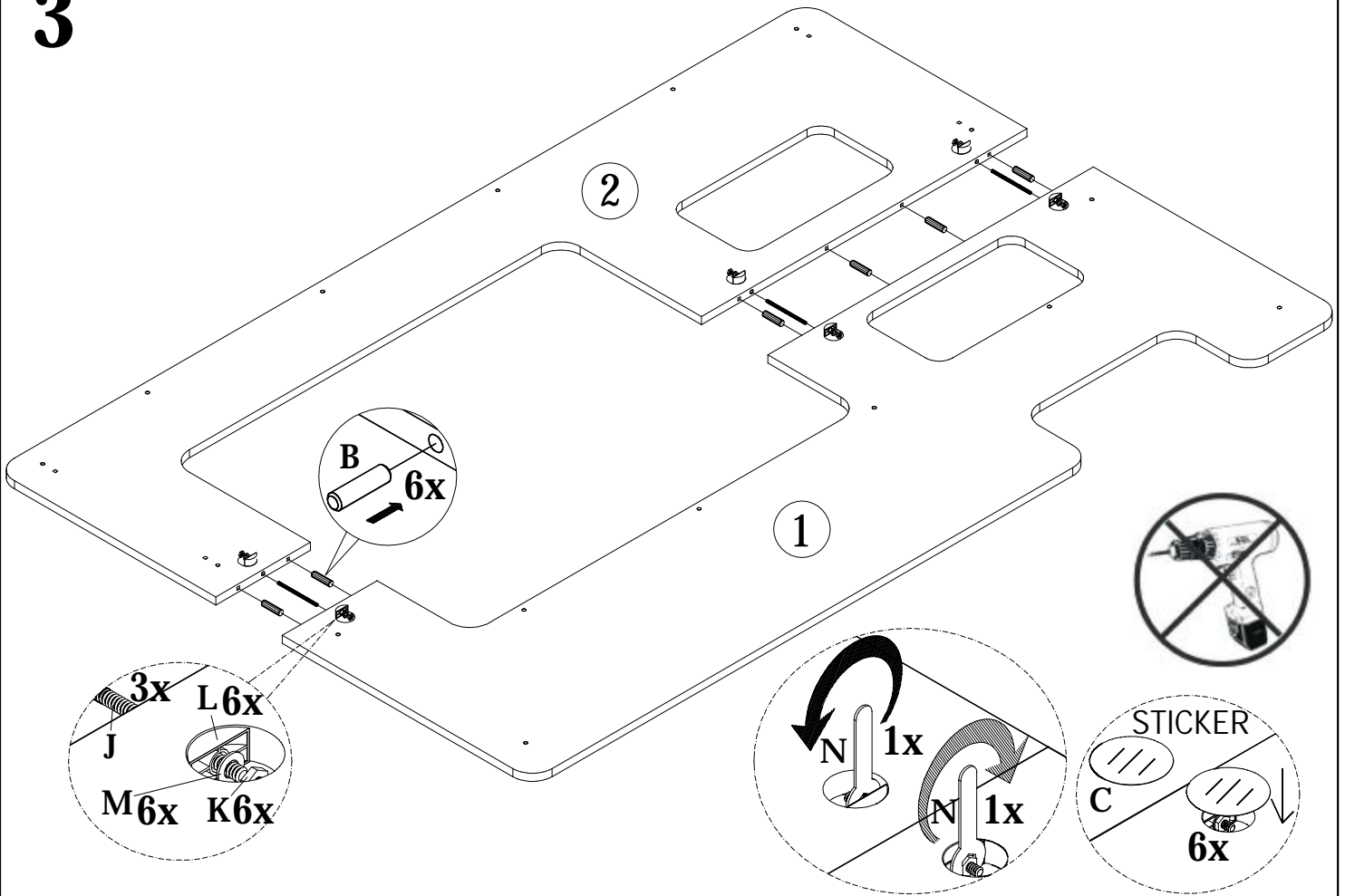
2

	SOLAR POD BUNK BED Product Code - 222 021 Distributed by: Julian Bowen Limited Bretford Group, Park Lane Business Park, Kiloby-Industrial Estate, Walsley, S617 8LJ. Factory ID: Manufactured in China Date of Manufacture: August 2020	CERTIFICATION LABEL This bunk bed model has been tested by an independent laboratory and is in compliance with BS 717-1:2012 + A1:2013 - Standard Consumer Safety Specification For Bunk Beds & High Beds
	WARNING: This bunk bed is not suitable for children under six years.	

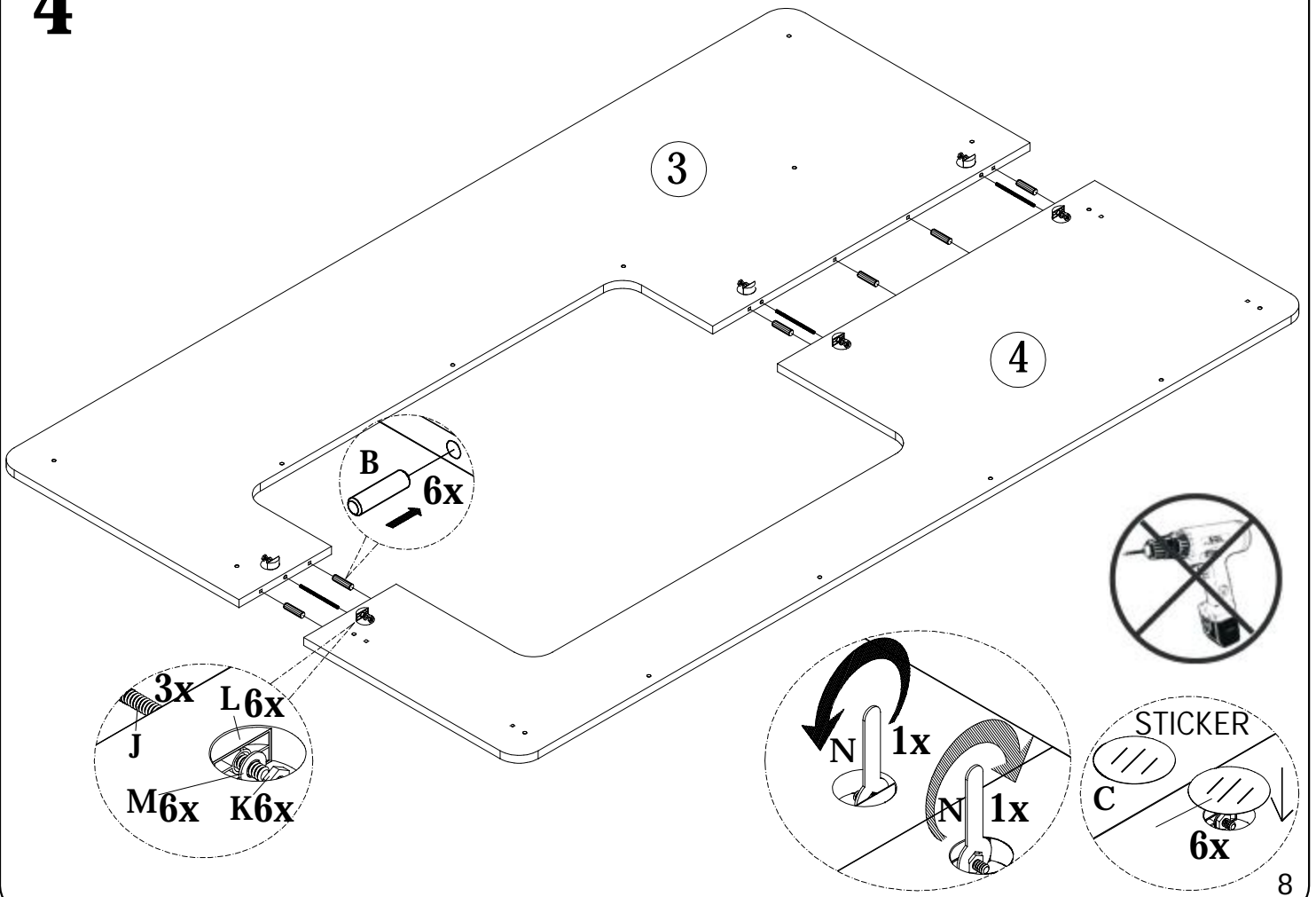
Maximum Mattress Height



3

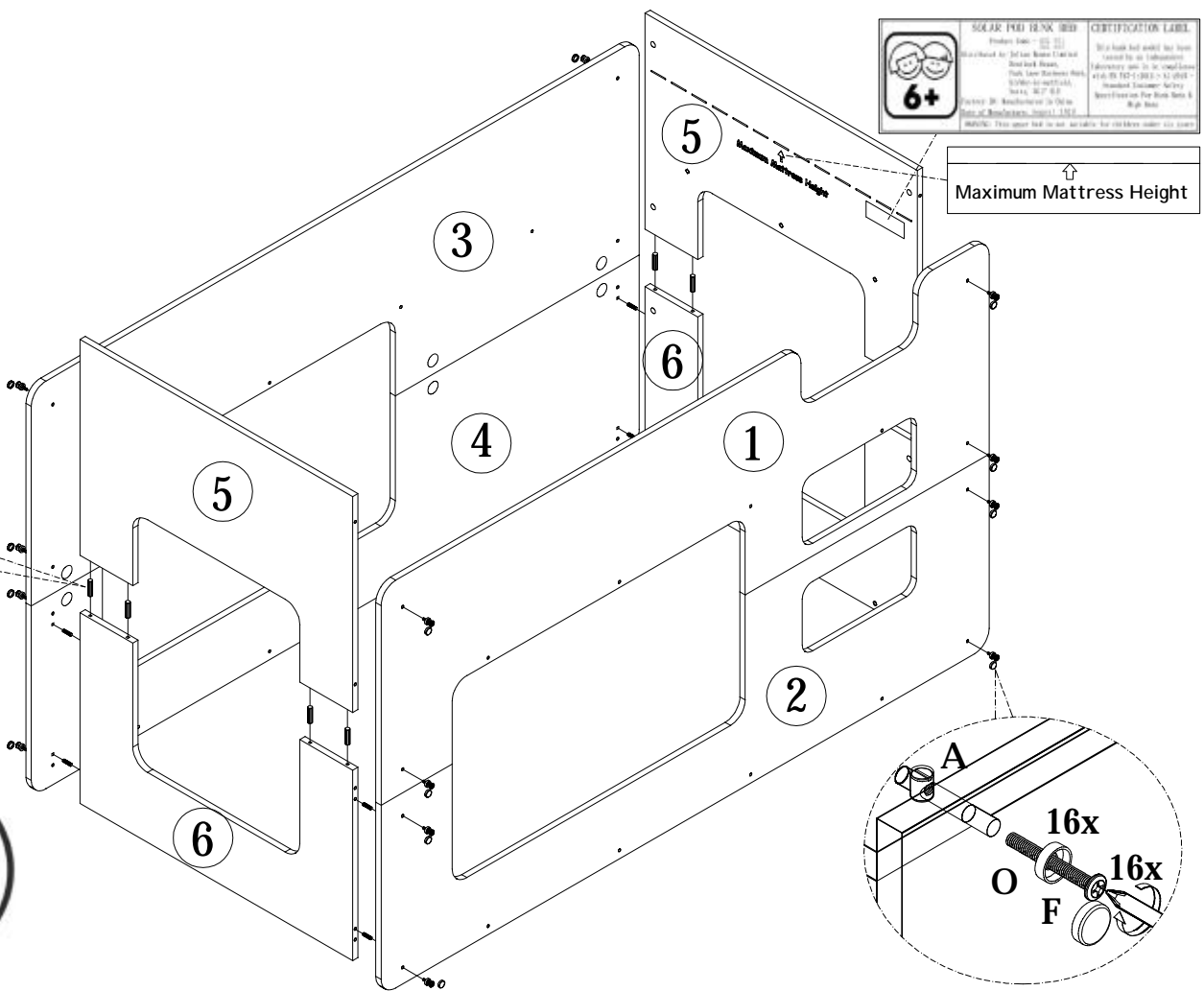
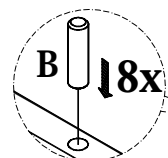


4

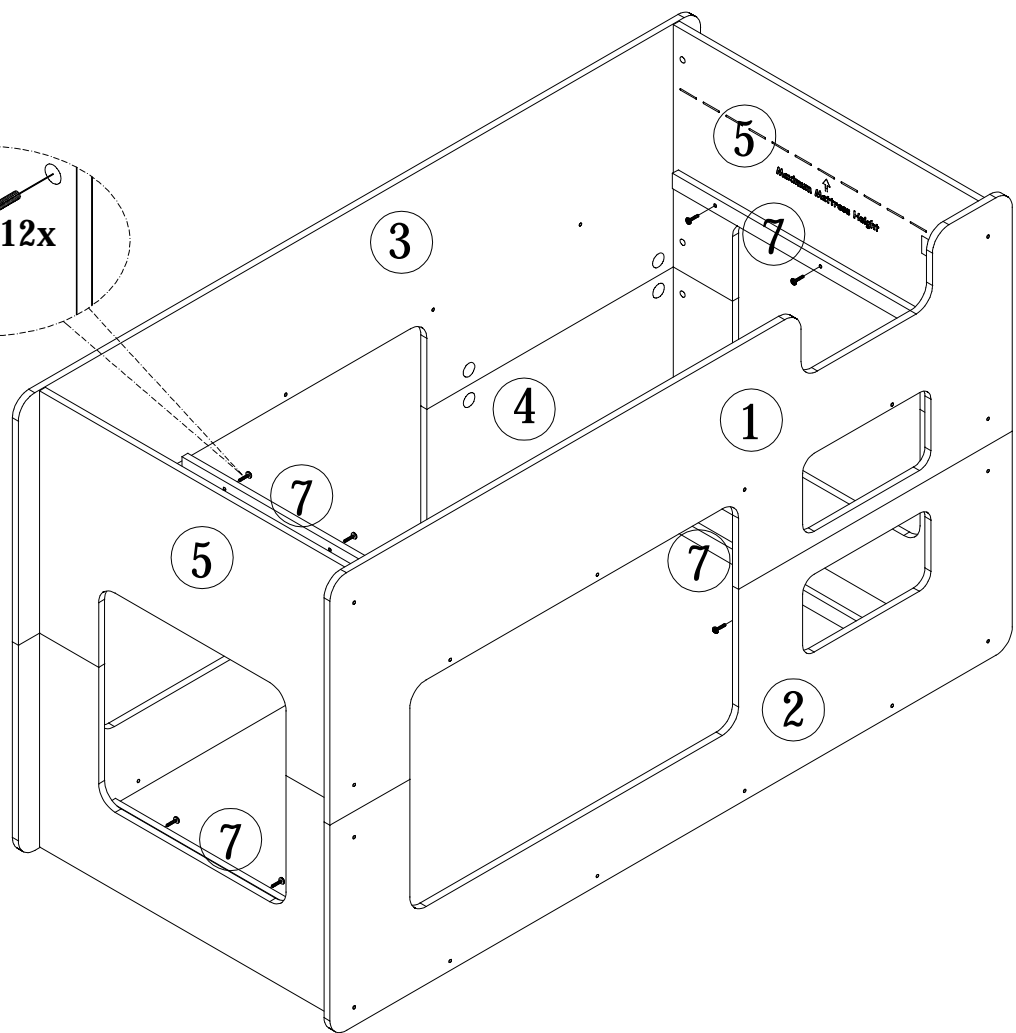
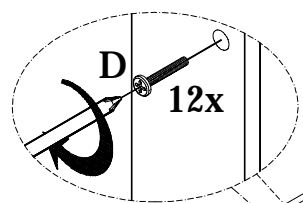


5

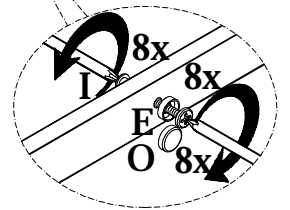
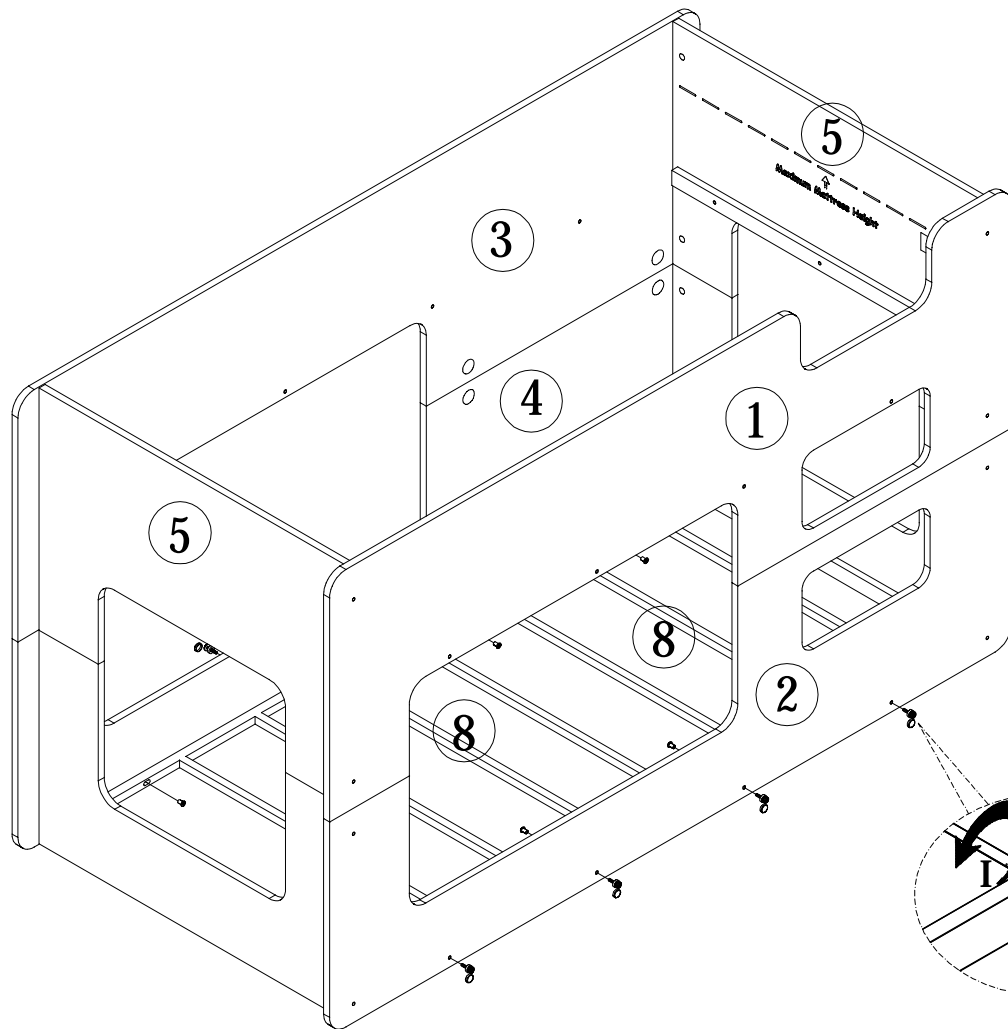
	SUGAR FREE BUNK BED	CERTIFICATION LABEL
	Product Code: 100.100	For Use with: See Instructions
	Manufactured by: Jif Ltd, Broomfield, Essex, UK	Manufactured in: China
	Product No: 100.100	Product No: 100.100



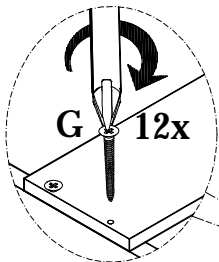
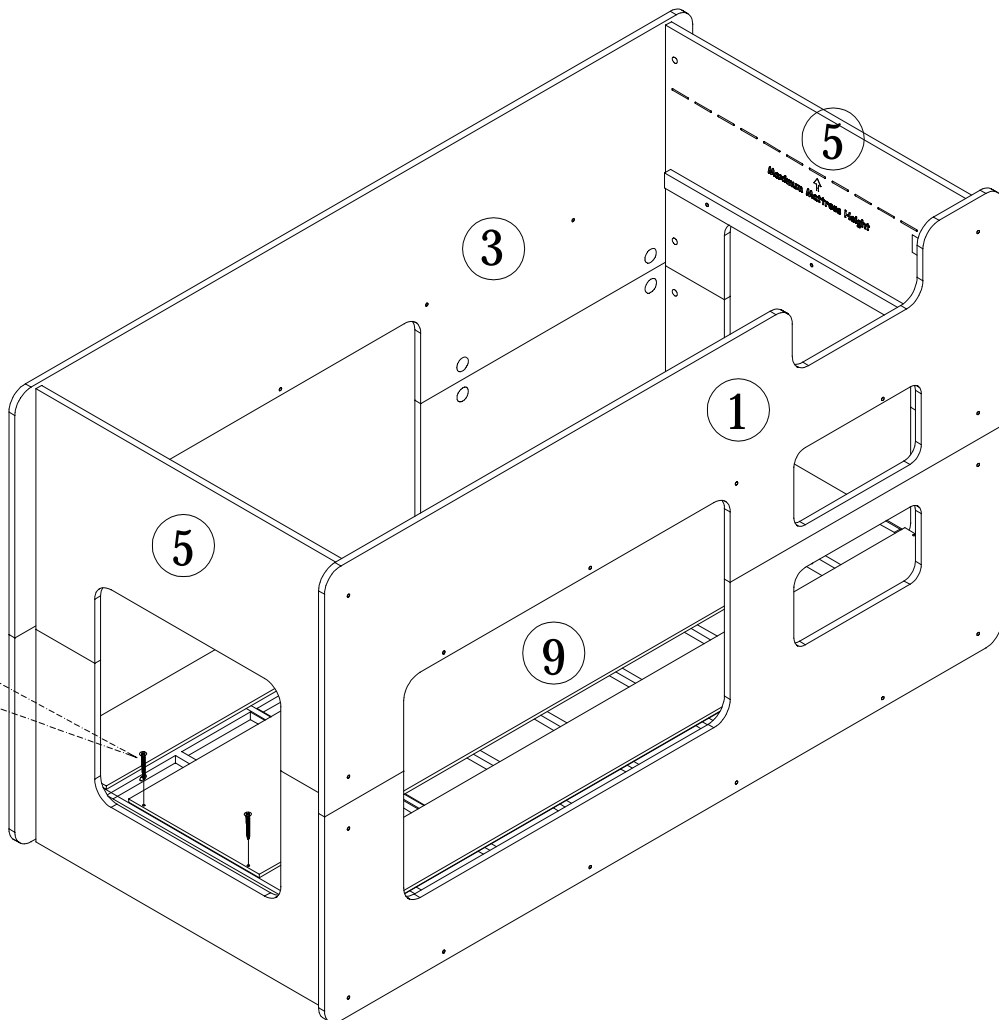
6



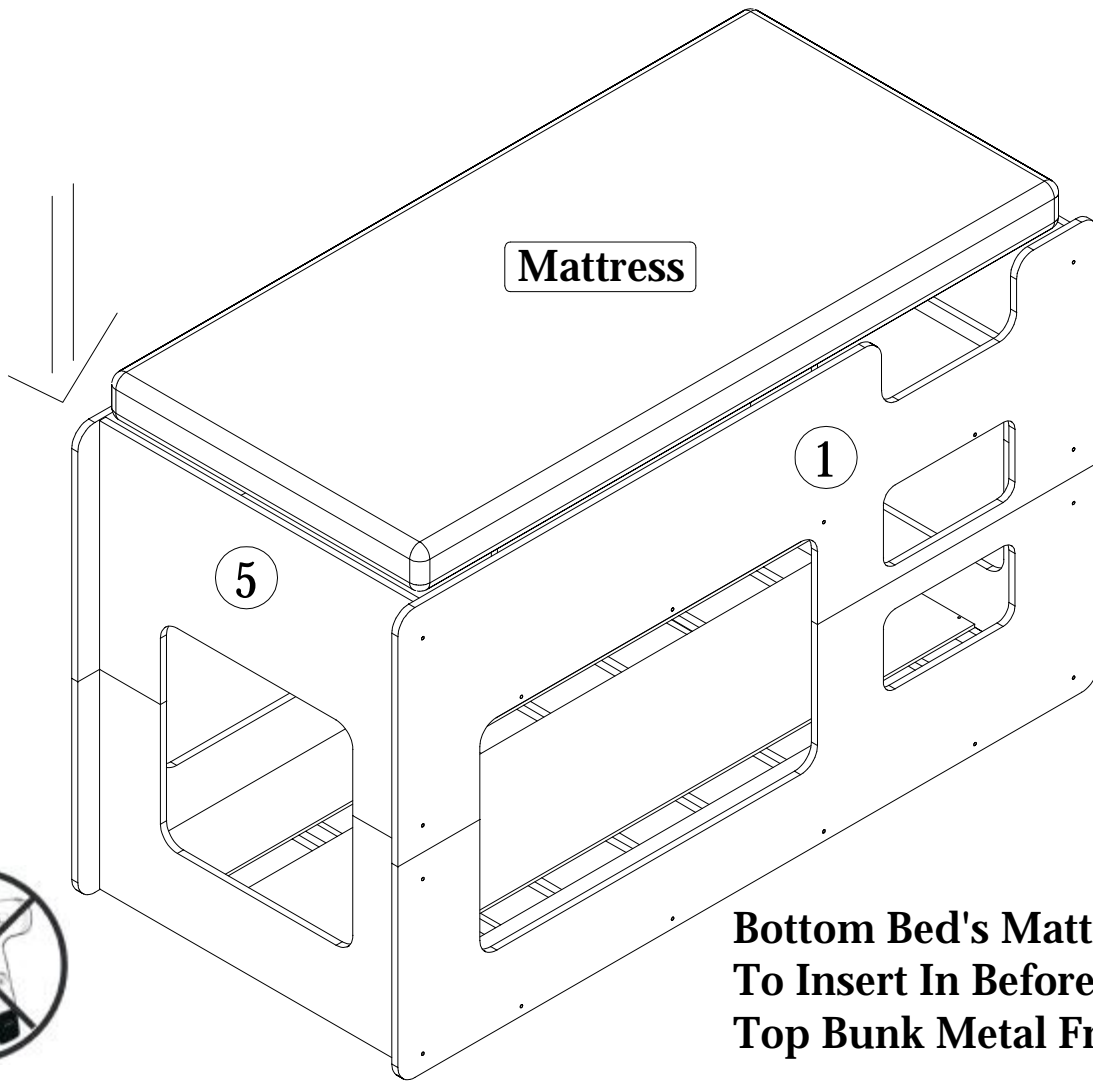
7



8

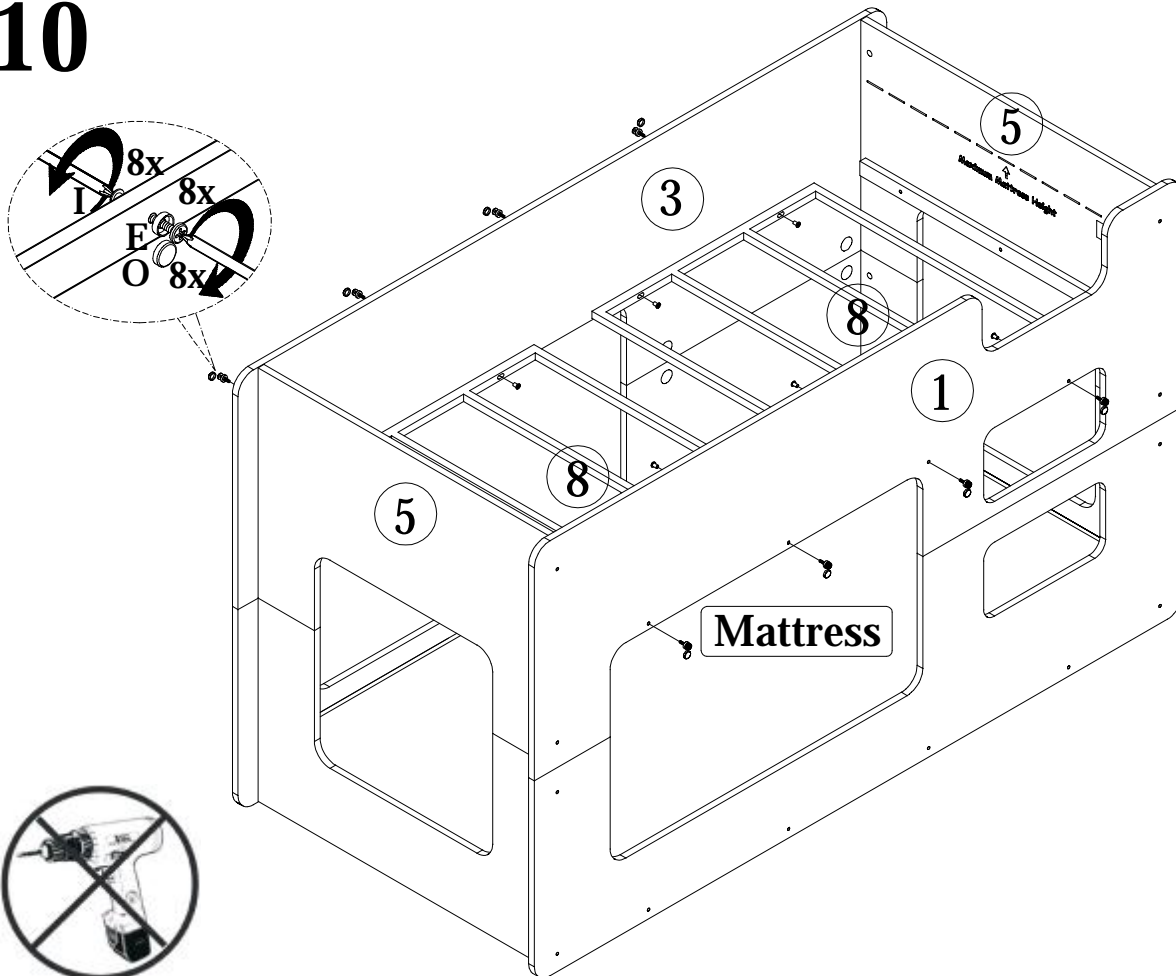


9

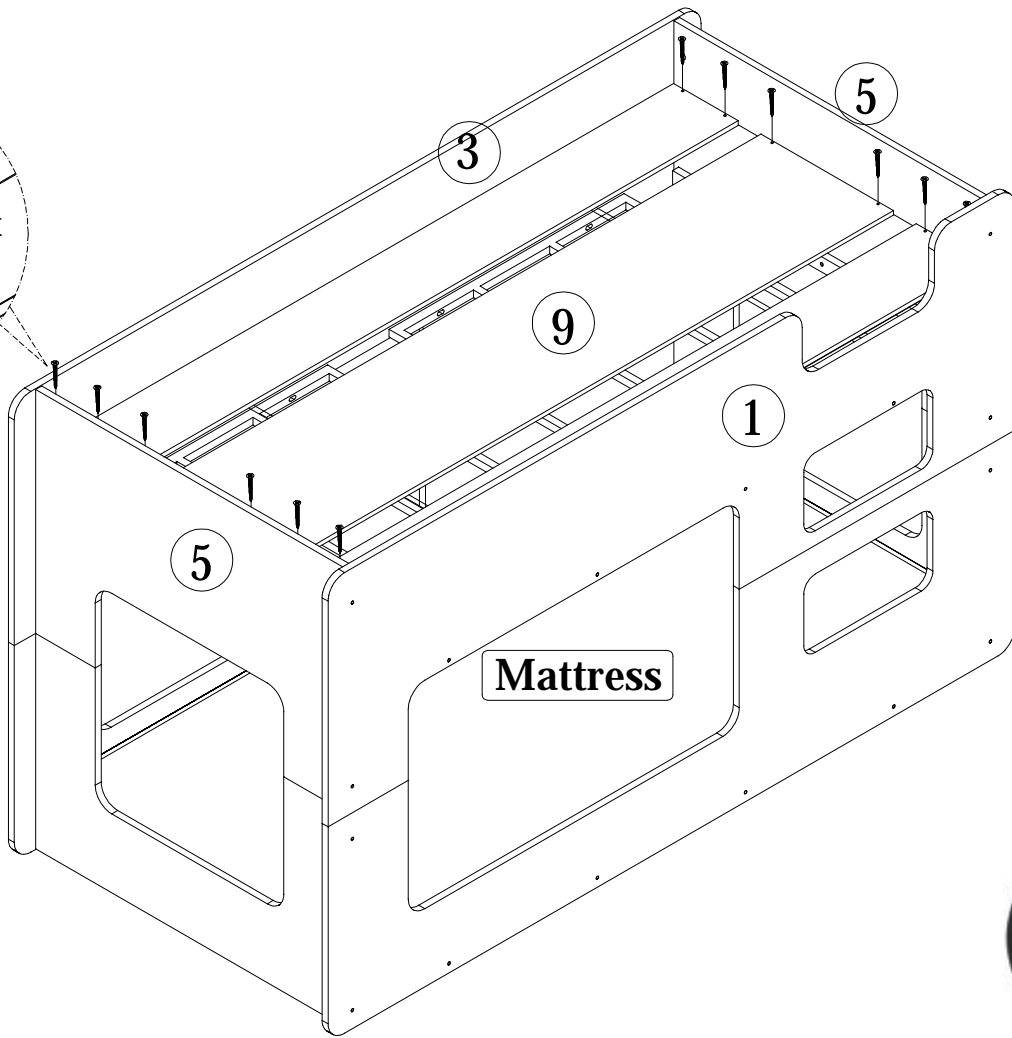
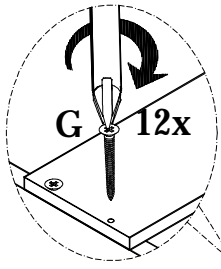


Bottom Bed's Mattress Needs To Insert In Before Installing Top Bunk Metal Frame.

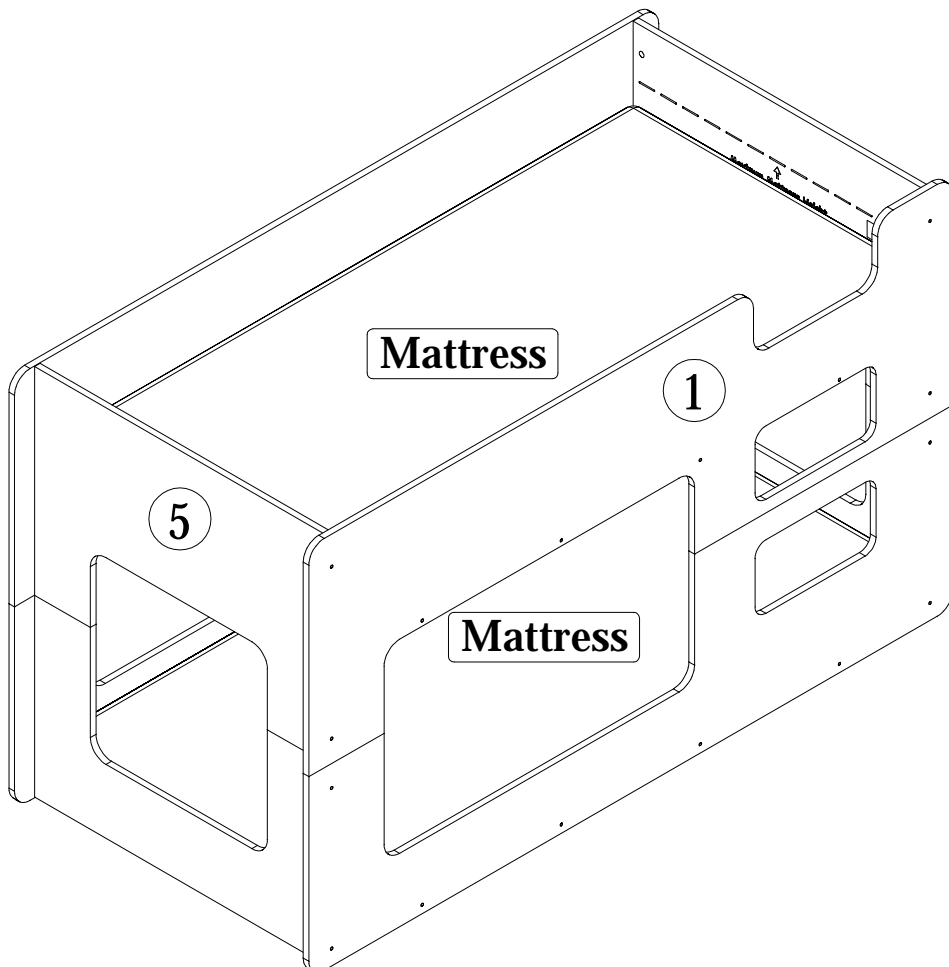
10



11



12



Your Solar Pod Bunk Bed Is Now Fully Assembled And Ready For Use.

GENERAL CARE & MAINTENANCE

We advise that when cleaning the product that a damp cloth is used.

Avoid the use of all household cleaners and abrasive.

Never push or drag the furniture.

Never attempt to move the furniture when fully loaded.

We advise that periodically all fixing are re-tightened.